

PUNCTIS

Lichtschiensystemleuchte (3 Phasen)
schwenkbar Adjustable track-mounted LED floodlight

Aluminiumkörper pulverlackiert,
Phosphat vorbehandelt als
Korrosionsschutz. Aluminium
Thermalmanagement. Verspiegelter
Reflektor.

Abstrahlwinkel: MD mittel, ST
tiefstrahlend. LED-Lichtquelle.

Direktemission .

Befestigungssystem: Track-(Adapter
im Lieferumfang enthalten).

Auf Anfrage

- vom Standard abweichende
Farbtemperatur
- CRI > 90.
- dimmbarer Treiber

Bent sheet steel body painted
with epoxy powder prior to
phosphating. Aluminium heatsink.

Built-in electronic ballast.

Anodized aluminium reflector.

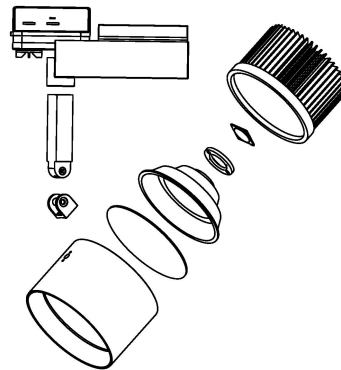
Wide beam: MD medium beam,
ST narrow beam.

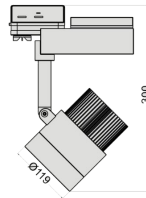
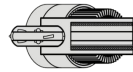
Light source: LED.

Direct light emission. Track
mounting system (adapter
included).

On request

- LED color temperature K
different from specified one.
- CRI > 90.
- dimmable driver

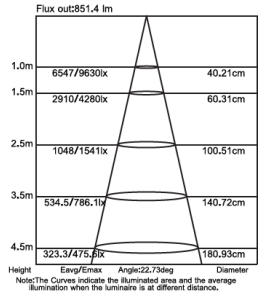
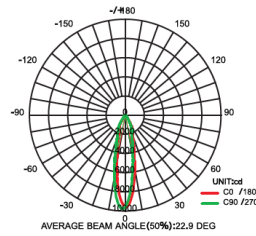




S-TRA-40W3P5K24°

5000k

LUMINOUS INTENSITY DISTRIBUTION DIAGRAM



lumen*	watt**	Größe dimension	Ta***	Winkel beam	K Kelvin	Lebenserwartung hours duration	Artikel Nr. code	Stromversorgung power supply	CRI	Gehäuse Farbe color	Kg weight
1.100 lm	15W	Ø80x275	+50°	60° mittlerer Winkel medium beam	3.000 K	50.000	S-TRA-15W3P3K/60	— CAE elektronisch electronic	> 80	01 weiß white	1,5
				60° mittlerer Winkel medium beam	5.000 K	50.000	S-TRA-15W3P5K/60				
				24° spitzer Winkel narrow beam	3.000 K	50.000	S-TRA-15W3P3K/24				
				24° spitzer Winkel narrow beam	5.000 K	50.000	S-TRA-15W3P5K/24				
1.600 lm	20 W	Ø80x275	+50°	60° mittlerer Winkel medium beam	3.000 K	50.000	S-TRA-20W3P3K/60				
				60° mittlerer Winkel medium beam	5.000 K	50.000	S-TRA-20W3P5K/60				
				24° spitzer Winkel narrow beam	3.000 K	50.000	S-TRA-20W3P3K/24				
				24° spitzer Winkel narrow beam	5.000 K	50.000	S-TRA-20W3P5K/24				
2.500 lm	30W	Ø99x290	+50°	60° mittlerer Winkel medium beam	3.000 K	50.000	S-TRA-30W3P3K/60				
				60° mittlerer Winkel medium beam	5.000 K	50.000	S-TRA-30W3P5K/60				
				24° spitzer Winkel narrow beam	3.000 K	50.000	S-TRA-30W3P3K/24				
				24° spitzer Winkel narrow beam	5.000 K	50.000	S-TRA-30W3P5K/24				
3.000 lm	40 W	Ø119x300	+50°	60° mittlerer Winkel medium beam	3.000 K	50.000	S-TRA-40W3P3K/60				
				60° mittlerer Winkel medium beam	5.000 K	50.000	S-TRA-40W3P5K/60				
				24° spitzer Winkel narrow beam	3.000 K	50.000	S-TRA-40W3P3K/24				
				24° spitzer Winkel narrow beam	5.000 K	50.000	S-TRA-40W3P5K/24				



IP 42

220-240 V

50-60 Hz

01 weiß white RAL9016

RG0

CRI>80

alternativ 4000K CRI >90 möglich



* Lumen ermittelt bei 25° (lumen max. 65° minus 10%). Die genaue Totale Lichtmenge kann abweichen. Nominal lumen max 25° luminaire total light flux refer to luminaire performance.

** Watt Kompletterverbrauch incl. Treiber Watt power totally absorbed.

*** Ta minimale und maximale Umgebungstemperatur. Ta minimum and maximum ambient operating temperature.



PUNCTIS