

# NSA-MS | 12 V



## Technical data

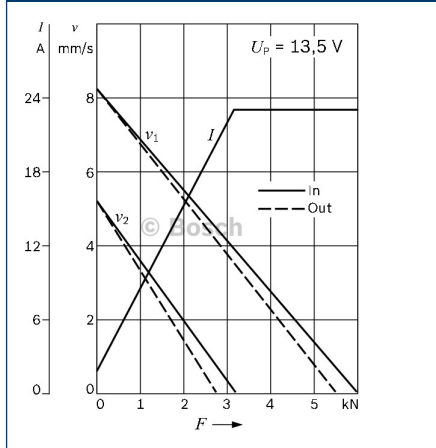
Part number	<b>0 390 204 027</b>
Nominal voltage	$U_N$ 12 V
Nominal current	$I_N$ 8 A
Maximum current	$I_{max}$ 24 A
Nominal force	$F_N$ 615 N
Maximum force	$F_{max}$ 4100 N
Adjustment speed	$v_N$ 5 mm/s
Direction of rotation	L/R
Type of duty	S 3
Degree of protection	IP 50
Weight	approx. 0,52 kg

Clockwise (+) to 1, (-) to 3  
 Counterclockwise (+) to 3, (-) to 1

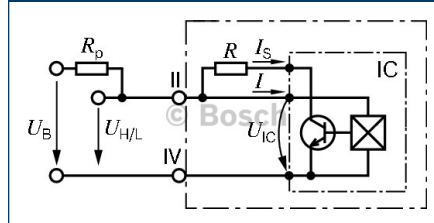
Connector Housing:

Sumitomo 6098-2830

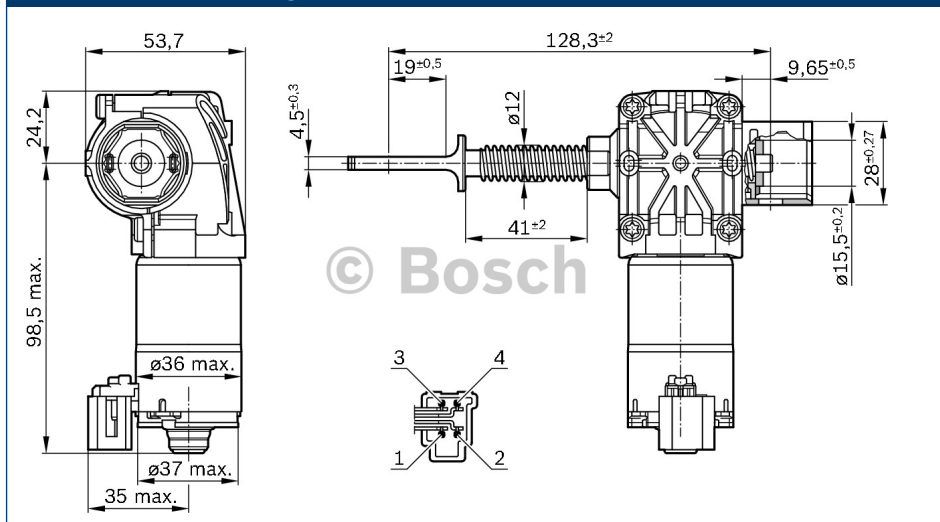
## Characteristic curve



## Connection diagram



## Dimensional drawing



Robert Bosch GmbH  
 Automotive Aftermarket  
 Postfach 410960  
 76225 Karlsruhe  
 Germany

www.bosch-elektromotoren.de



**BOSCH**  
 Invented for life