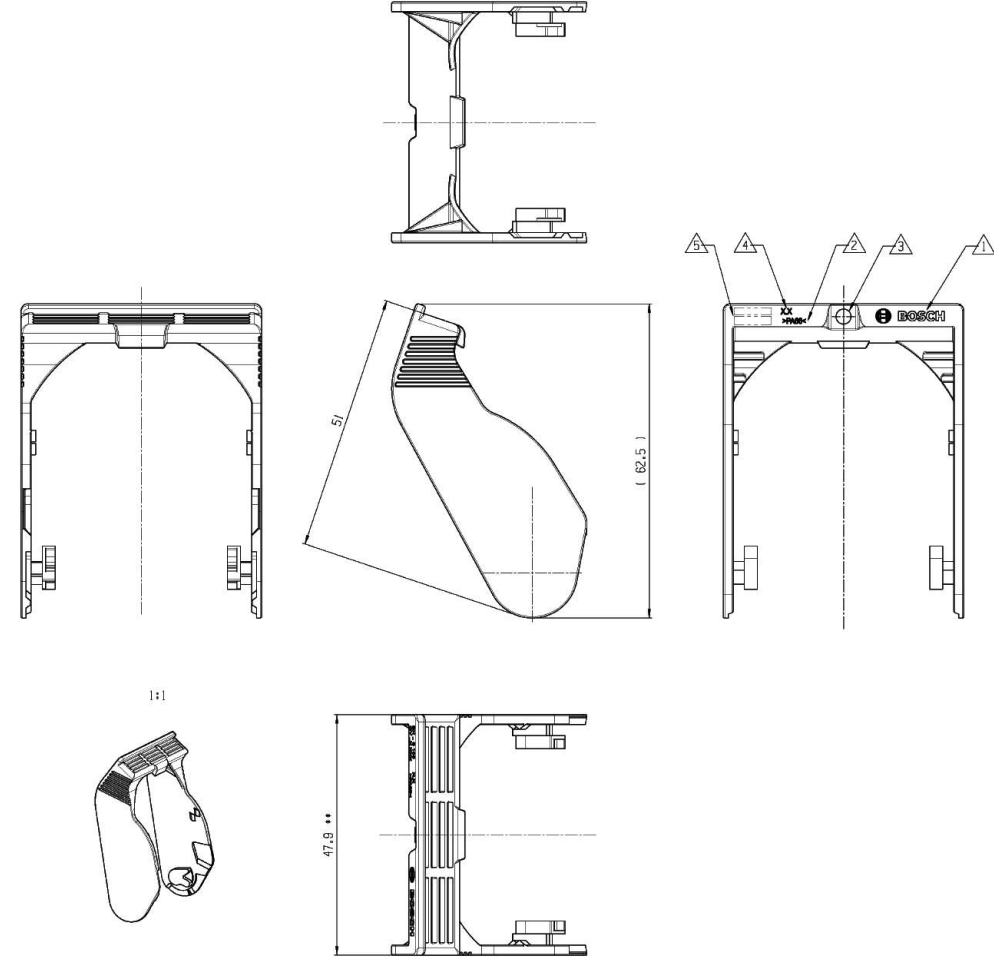
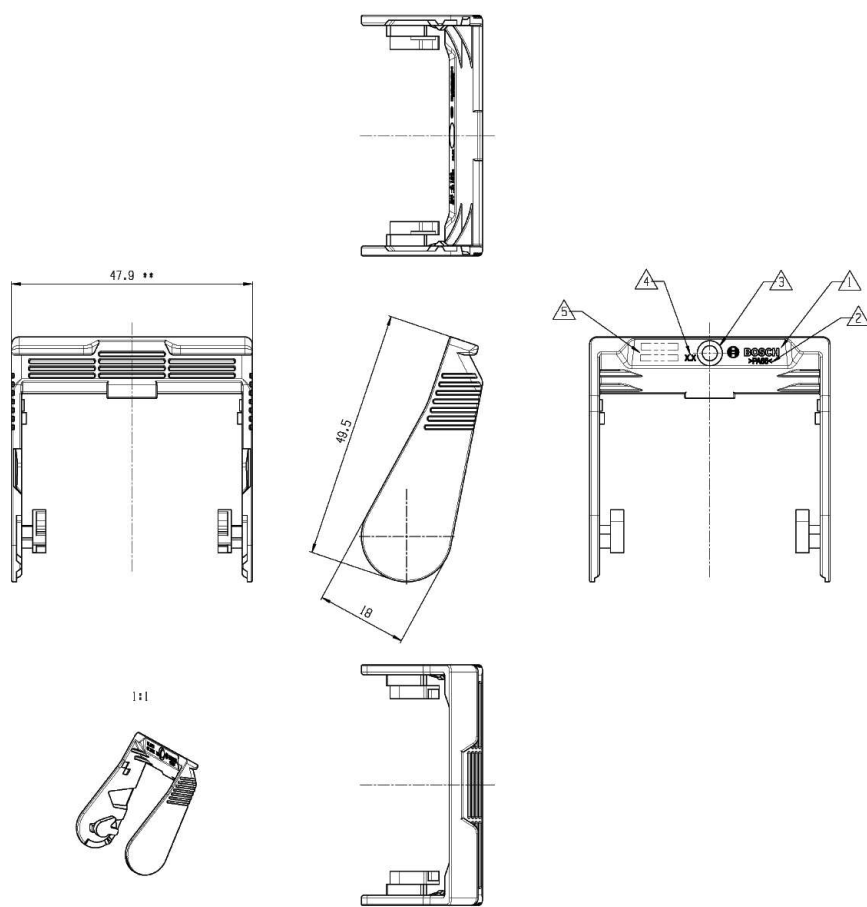


| DESIGNATION Benennung | MATERIAL Werkstoff | COLOR Farbe | ORDER-NUMBER Bestellnummer |
|---------------------------------|-----------------------|------------------|-------------------------------|
| LEVER INCLINED Hebel schraeg | PA66 | BLACK schwarz | 1 928 406 106 |

| DESIGNATION Benennung | MATERIAL Werkstoff | COLOR Farbe | ORDER-NUMBER Bestellnummer |
|---------------------------|-----------------------|------------------|-------------------------------|
| LEVER FLAT Hebel flach | PA66 | BLACK schwarz | 1 928 406 105 * ② |



NOTES / Bemerkungen

- ① SUPPLIER-MARK RECESSED + RAISED
Lieferantenkennzeichnung vertieft + erhaben
- ② MATERIAL IDENTIFICATION RECESSED + RAISED
Materialkennzeichnung vertieft + erhaben
- ③ PRODUCTION DATE RAISED
Fertigungsdatum erhaben
- ④ TOOL - AND MOLD - CAVITY NUMBER RAISED
Form- und Nestkennzeichnung erhaben
- ⑤ ORDER NUMBER RECESSED + RAISED
Bestellnummer vertieft + erhaben

PARTS MAY DIFFER IN NON-FUNCTIONAL DETAILS FROM THE REPRESENTATION IN THIS DRAWING
Teile koennen in nicht funktionsrelevanten Details von der Darstellung in der Zeichnung abweichen

** INCIDENCE PERMITTED, DIMENSION VALID IN ASSEMBLED POSITION ON CONTACT HOUSING UNIT
** Einfall zulassig. Mass gilt in verbauten Zustand auf Kontaktraegeinheit

MODIFICATIONS RESERVED DUE TO THE FURTHER DEVELOPMENT.
Aenderungen aufgrund der weiteren Entwicklung vorbehalten.

② *...INJECTION MOLDING DIE CURRENTLY NOT AVAILABLE
Spritzgusswerkzeug aktuell nicht vorhanden

| | | |
|--|--------|-----|
| General tolerances for all types of dimensions for this drawing unless otherwise specified in mm | | |
| ±0,5mm | ±0,5mm | ±5° |
| All linear dimensions in mm unless otherwise specified | | |
| Drawing standard: DIN EN ISO 150 Standard | | |

| | | | |
|------------|----------------------------------|------------|-------------|
| Order No. | 1 928 A00 724 | Doc. type | Formal |
| Part No. | AGZ | Rev. | 001 |
| Change No. | 2-1 | Issue Date | 20180701 |
| Part Name | LOCKING LEVER VERRIESELUNGSEIHEL | Material | PA66 |
| Plant | 38/48-RA1 | Plant | 38/48-polig |
| Order No. | 1 928 A00 724 | Doc. type | Formal |
| Part No. | AGZ | Rev. | 001 |
| Change No. | 2-1 | Issue Date | 20180701 |
| Part Name | LOCKING LEVER VERRIESELUNGSEIHEL | Material | PA66 |
| Plant | 38/48-RA1 | Plant | 38/48-polig |