

GBM-S

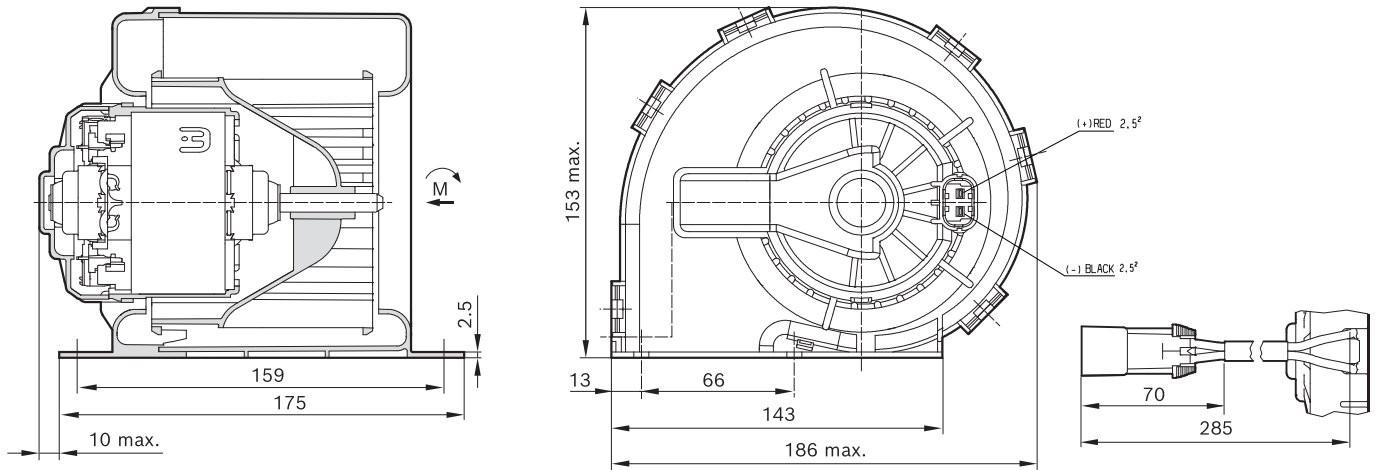


Family features:

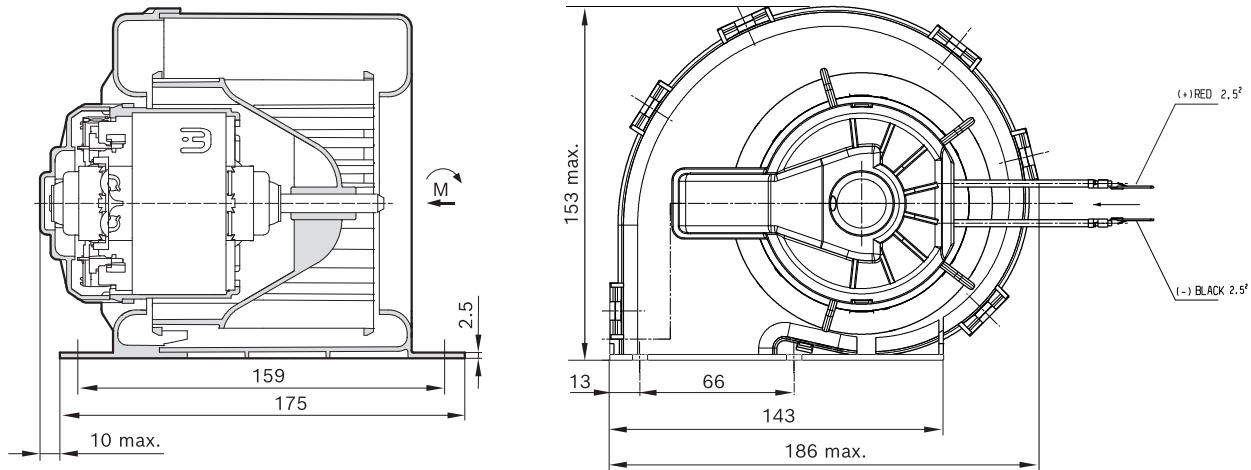
- 12/24 V ventilation module
- optimized noise performance
- high power density
- operation mode: S1
- degree of protection: IP 13

Voltage	Part number	Flow rate m ³ /h	Pressure difference Pa	I _n (Nominal current) A	n _n (Nominal speed) rpm	Direction of rotation	Signal Hall	Dimensional drawing (D)	Wiring diagram (W)	Connector (C)	Performance curve (P)
12 V	0 130 115 604	400	470	14	4468	CW	No	D1	W1	C1	P1
24 V	0 130 115 753	400	470	8	4468	CW	No	D2	W2	C2	P2

D1

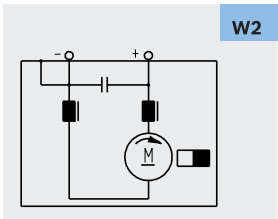
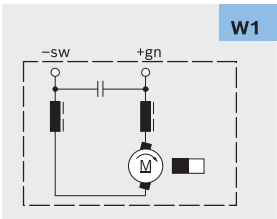


D2



GBM-S

Wiring diagram (W)



Mating connector (C)

C1
 Housing: Lisi F513A
 Locker: -
 Terminal: TE 964308-1
 Black (-) Red (+)

C2
 Housing: -
 Locker: -
 Terminal: -
 Black (-) Red (+)

Performance curve (P)

