

PAD

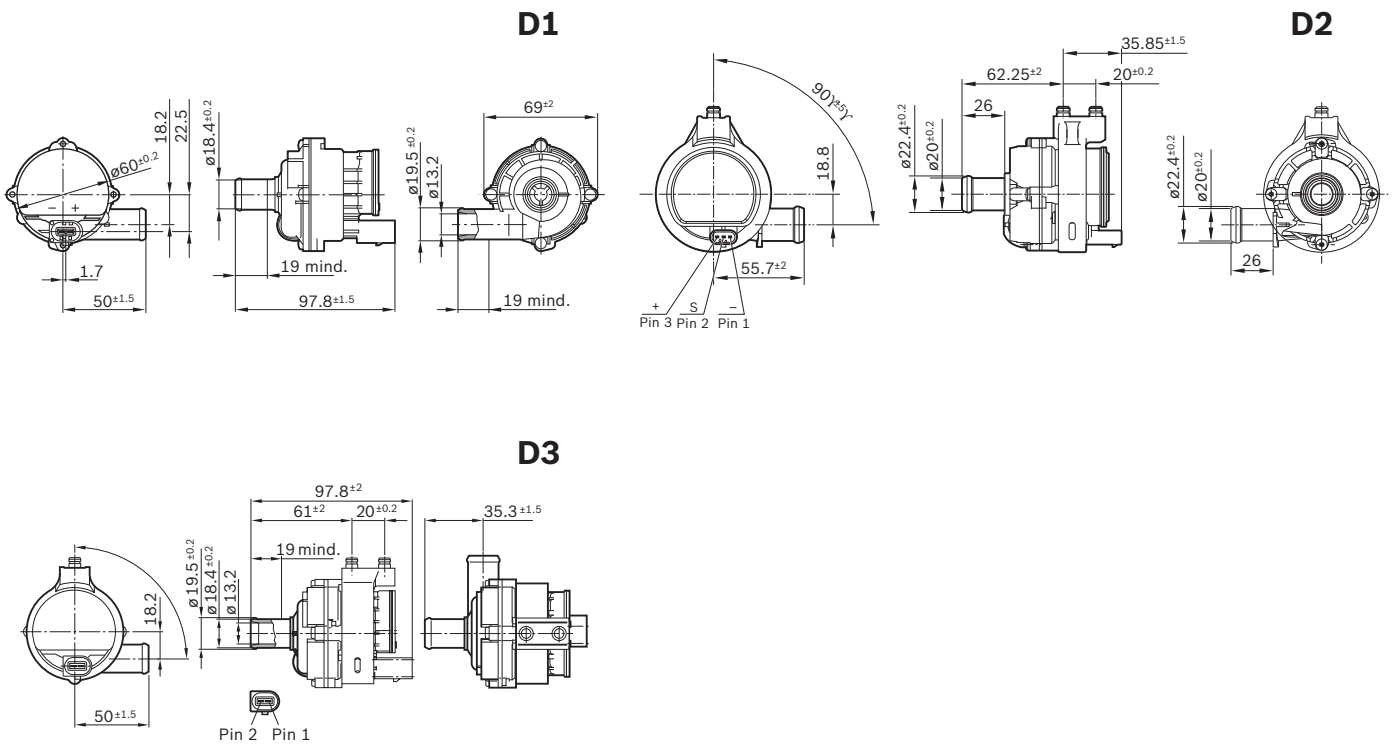


Family features:

- ▶ Silent operation
- ▶ PWM control available
- ▶ Extended temperature range available
- ▶ Extended power range available
- ▶ Degree of protection: IPX7

Voltage	Part number	Nominal pump pressure	Flow rate	Direction of rotation	Control	Dimensional drawing (D)	Connector (C)	Performance curve (P)
		bar	L/hr	CW or CCW				
12 V	0 392 023 232*	0.2	500	CW	PWM	D2	C2	P1
	0 392 023 004	0.1	900	CW	On / off	D1	C1	P2
	0 392 023 117**	0.1	900	CW	On / off	D3	C1	P3

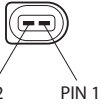
* Extended power range
 ** Extended temperature range



PAD

Mating connector (C)

C1



Housing: AMP 1-967412-2

C2



Housing: HIRSCHMAN 805-121-...00

Performance curve (P)

