

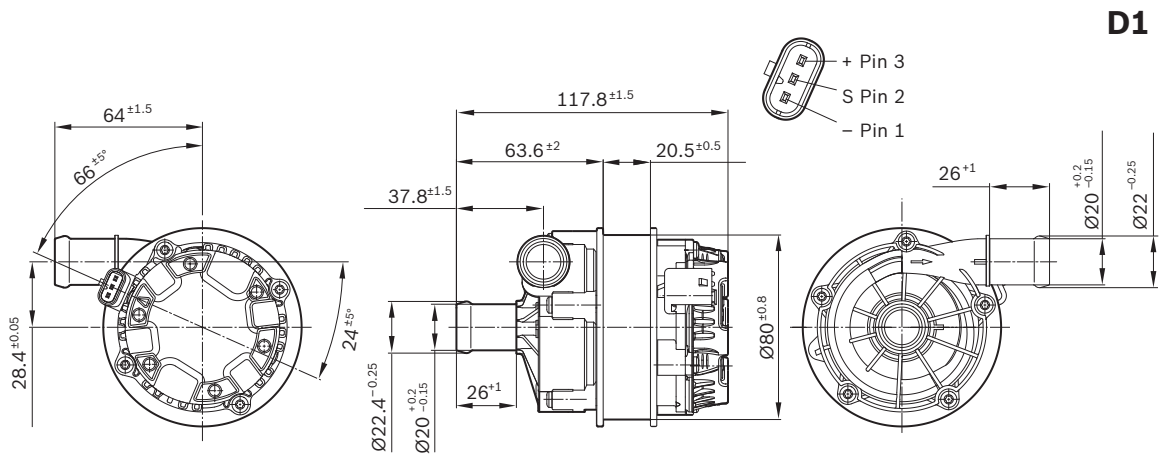
PCE



Family features:

- ▶ Silent operation
- ▶ PWM control available
- ▶ Extended temperature range available
- ▶ Extended power range available
- ▶ Degree of protection: IPX7

Voltage	Part number	Nominal pump pressure	Flow rate	Direction of rotation	Control	Dimensional drawing (D)	Connector (C)	Performance curve (P)
		bar	L/h	CW or CCW				
12 V	0 392 024 058	0.6	1200	CW	PWM	D1	C1	P1
	0 392 024 078	0.85	1000	CW	PWM	D1	C1	P2
24 V	0 392 024 041	0.6	1200	CW	PWM	D1	C1	P3



PCE

Mating connector (C)



Performance curve (P)

