

CHP3



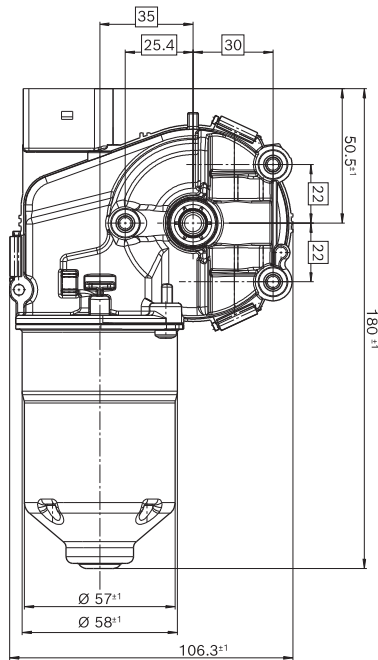
Family features:

- degree of protection: IP 23
- operation mode: S2/S3
- dual-speed motors available

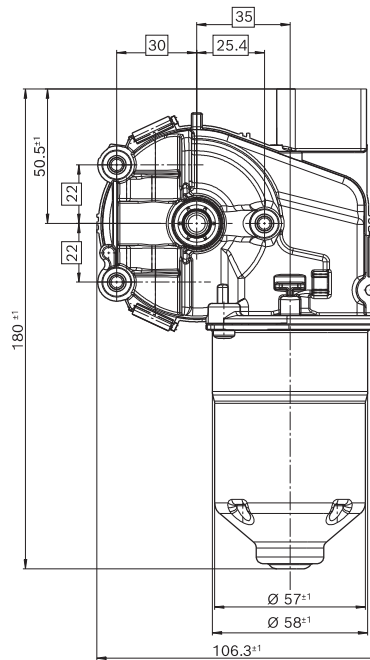
Voltage	Part number	P _n (Nominal power) W	I _n (Nominal current) A	n _n (Nominal speed) rpm	M _n (Nominal torque) Nm	M _a (Min stall torque) Nm	Gear ratio	Direction of rotation	Signal Hall	Side*	Dimensional drawing (D)	Wiring diagram (W)	Drive end (S)	Connector (C)	Performance curve (P)
12 V	0 390 243 685	12.8 / 8.5	4.5 / 3.5	61 / 41	2	25 / 28	76:1	CW	No	R	D1	W1	S1	C1	P1
12 V	0 390 243 686	12.8 / 8.5	4.5 / 3.5	61 / 41	2	25 / 28	76:1	CCW	No	L	D2	W1	S1	C1	P1

*Gear housing left: L, gear housing right: R
Further models on request

D1

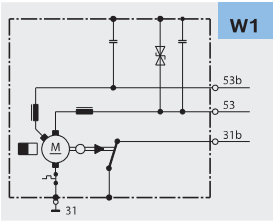


D2

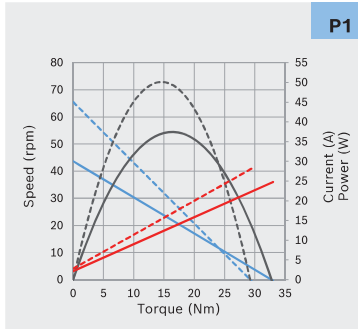


CHP3

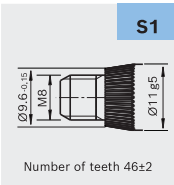
Wiring diagram (W)



Performance curve (P)



Drive end (S)



Mating connector (C)

