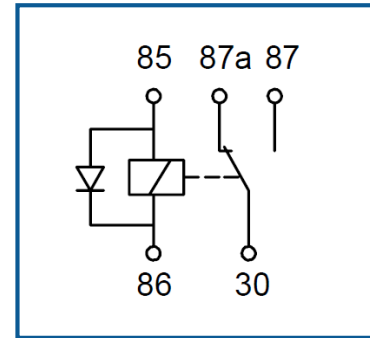
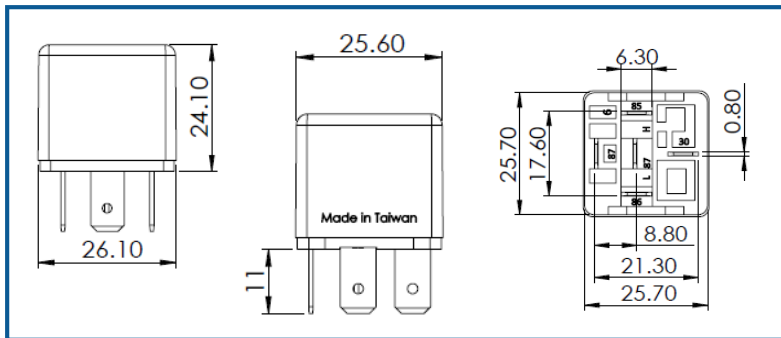


Mini Relays 24 V, 20/10 A

0 986 AH0 614

Change over	Normal close	Normal open
✓		

Mounting bracket	Resistor	Diode	Life durability	Current	Voltage	Number of Pins
X	X	✓	100.000	20/10 A	24 V	5



[Back to general overview](#)