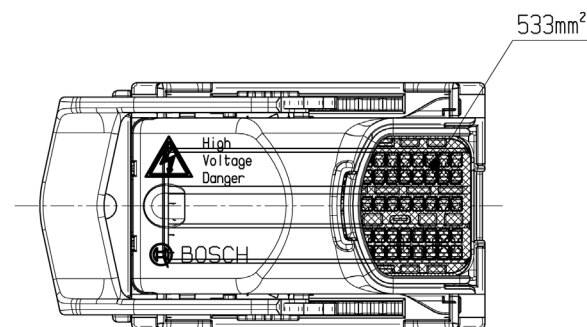
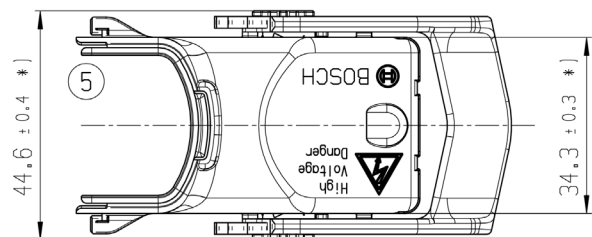
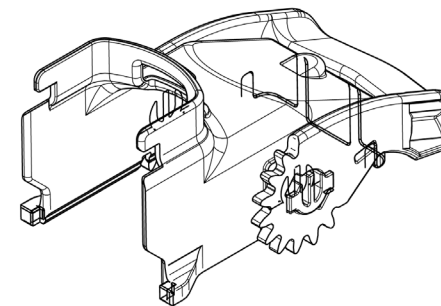
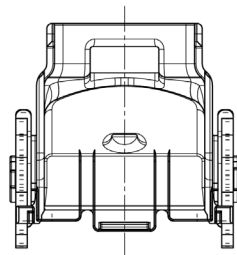
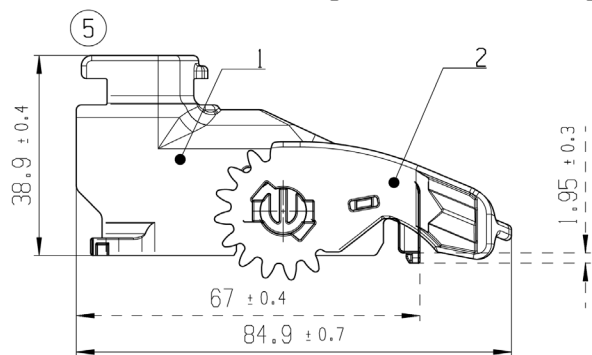


PRESENTED: LEVER CLOSED (DELIVERY CONDITION)
 Dargestellt: Verriegelungshebel geschlossen (Auslieferungszustand)



THEORETICAL MAXIMUM CROSS SECTION AT THE CABLE EXIT
 Theoretisch max. Querschnitt am Kabelabgang

2	LEVER Hebel		PA 66 - GF 30	BLACK Schwarz	
1	COVER Deckel		PA 66 - GF 30	BLACK Schwarz	
	COVER UNIT Deckeleinheit	1 928 405 366	-----	-----	
ITEM Pos.	DESIGNATION Benennung	ORDER NUMBER Bestell-Nr.	MATERIAL Stoff	COLOUR Farbe	REMARKS Bemerkungen

PARTS MAY DIFFER IN NON-FUNCTIONAL DETAILS FROM THE REPRESENTATION IN THIS DRAWING
 Teile koennen in nicht funktionsrelevanten Details von der Darstellung in der Zeichnung abweichen

- *) INCIDENCE PERMITTED. DIMENSION VALID IN ASSEMBLED POSITION ON CONTACT HOUSING UNIT
- *) Einfall zulaessig. Mass gilt im verbauten Zustand auf Kontaktraegereinheit

general tolerances for/Allgemeintoleranzen fuer		
lin. dim./L-masse	radii/Radien	angles/Winkel
±0,5mm	±0,5mm	±5°
all linear dimensions in/ Alle Laengenmasse in		mm
drawing standard/ Zeichnungsstandard		ISO Standard

05	REVISED	20141114	vbd5kor	ria1kor	.	2130	GS-AM/ENC	.		
04	REVISED	20110303	sbt1kor	lux2si	.	2130	GS-AM/ENC	NX MIGRATION		
03	REVISED	20091012	Sh	Lx	.	2130	GS-AM/ENC	.		
01	NEW EDITION	20080801	Co	Kh	Lx	2130	GS-AM/ENC	.		
Ind.	Change/Aend.	YYYYMMDD	Drawn/Gez.	Checked/Gepr.	Releas./Freig.	BWN	Resp. dept./Verantw. Abt.	Add. info./Zus. Info.		
Lang./Spr. en/de	Syst. UG	Wght./Gew.				COVER UNIT DECKELEINHEIT		196-WAY 196-polig	Sheet/Bl. 1 / 1	
Scale/M.stab	1:1	OFFER DRAWING ANGEBOTSZEICHN.		Doc. type AGZ		1 928 A00 521		DP/TO 001	Ind. 05	Format A3
MNR	.	Repl. for		Repl. by						

© Robert Bosch GmbH. All rights reserved, also regarding any disposal, exploitation, reproduction, editing, distributing, as well as in the event of applications for industrial property rights.