

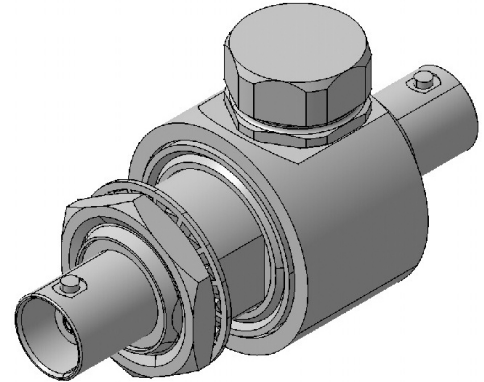
## EMP Protector 3401.01.A

### Description

GDT technology up to 1.0 GHz

#### Benefits

DC continuity for remote powering  
 The protector can also be installed reversely  
 Delivered without gas discharge tube  
 Data refer to GDT 9071.99.0547, 230 V  
 Compliant to IEC 61643-21



### Product Configuration

|                        |   |
|------------------------|---|
| Main path connectors   | Port 1: <u>unprotected</u> , BNC jack (female) - Port 2: <u>protected</u> , BNC jack (female) |
| Mounting and grounding | MH12 (bulkhead mounting), brk (bracket)   |
| Side of bulkhead       | protected side  |

### Technical Data

#### Electrical Data

|                 |               |             |
|-----------------|---------------|-------------|
| Impedance       | 50 Ω          |             |
| Frequency range | 0 - 1000 MHz  | 0 - 300 MHz |
| Return loss     | ≥ 19 dB       | ≥ 26.44 dB  |
| Insertion loss  | ≤ 0.1 dB      | ≤ 0.1 dB    |
| RF CW power     | ≤ 150 W       | ≤ 150 W     |
| PIM 3rd order   | not specified |             |

|                                   |  |
|-----------------------------------|--|
| Surge current handling capability | 30 single / 20 multiple kA (test pulse 8/20 μs)  |
| Residual pulse energy             | 350 μJ typically (test pulse 4 kV 1.2/50 μs / 2 kA 8/20 μs) main path - protected side |

#### Mechanical Data

|                   |      |
|-------------------|------|
| Number of matings | 500  |
| Weight            | 75 g |

#### Environmental Data

|                       |  |
|-----------------------|--|
| Operating temperature | -40 °C to +85 °C   |
| Waterproof degree     | IP20 (according to IEC 60529, data refer to the coupled state) |
| 2011/65/EU (RoHS)     | compliant  |

#### Material Data

| Piece Parts           | Material               | Surface Plating                            |
|-----------------------|------------------------|--|
| Housing               | Brass                  | SUCOPLATE (R) Plating                      |
| Port 1 center contact | Copper Beryllium Alloy | Gold Plating (without Nickel underplating) |
| Port 2 center contact | Copper Beryllium Alloy | Gold Plating (without Nickel underplating) |

### Related Documents

|                      |                |
|----------------------|----------------|
| Outline drawing      | DOU-00057120.1 |
| Mounting instruction | DOC-0000176104 |

### Remarks

|                      |  |
|----------------------|--|
| Customer part number | NATO: NSN 5920-12-325-4220, 5935-99-110-3099 |
|----------------------|--|