

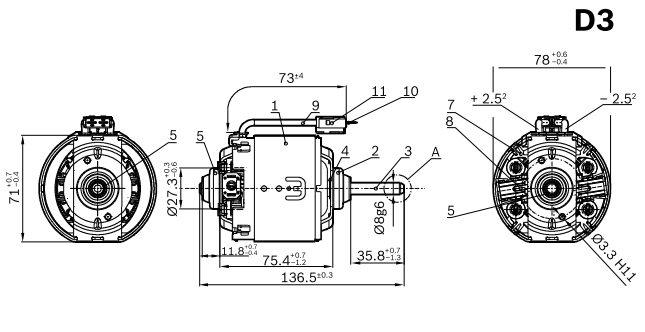
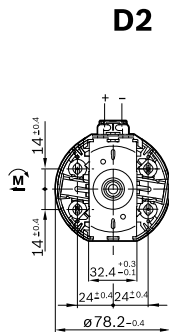
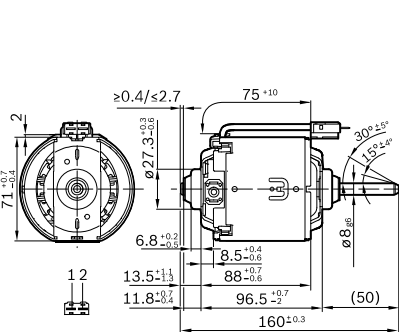
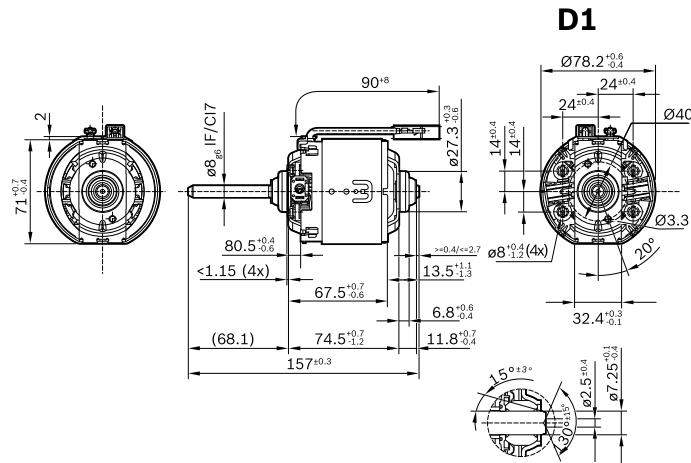
**GBM**



**Family features:**

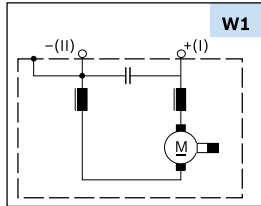
- ▶ Small, medium and large sizes
- ▶ Degree of protection: IP 10
- ▶ Operation mode: S1

Voltage	Part number	P <sub>n</sub> (Nominal power) W	I <sub>n</sub> (Nominal current) A	n <sub>n</sub> (Nominal speed) rpm	M <sub>n</sub> (Nominal torque) Nm	M <sub>a</sub> (Stall torque) Nm	Direction of rotation	Signal	Dimensional drawing (D)	Wiring diagram (W)	Drive end (S)	Connector (C)	Performance curve (P)
<b>12 V</b>	0 130 115 352	247.5	26	4300	0.55	3.00	CW	No	D2	W1	S2	C1	P2
	0 130 115 017	122.5	15	3900	0.30	1.80	CCW	No	D3	W1	S1	C1	P1
	0 130 115 008	79.5	11	3800	0.20	1.05	CCW	No	D1	W1	S3	C2	P3

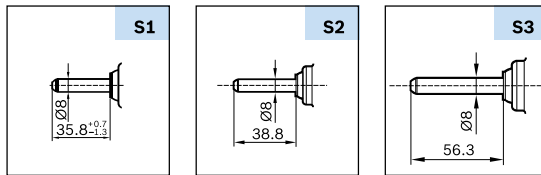


# GBM

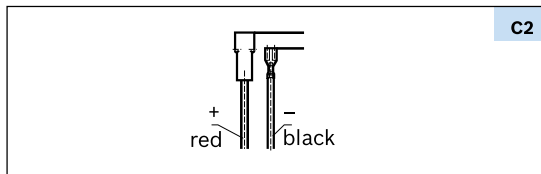
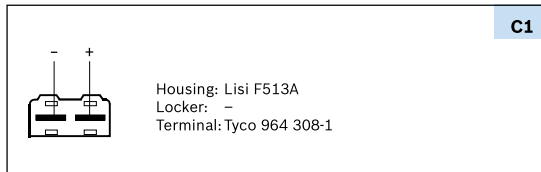
## Wiring diagram (W)



## Drive end (S)



## Mating connector (C)



## Performance curve (P)

