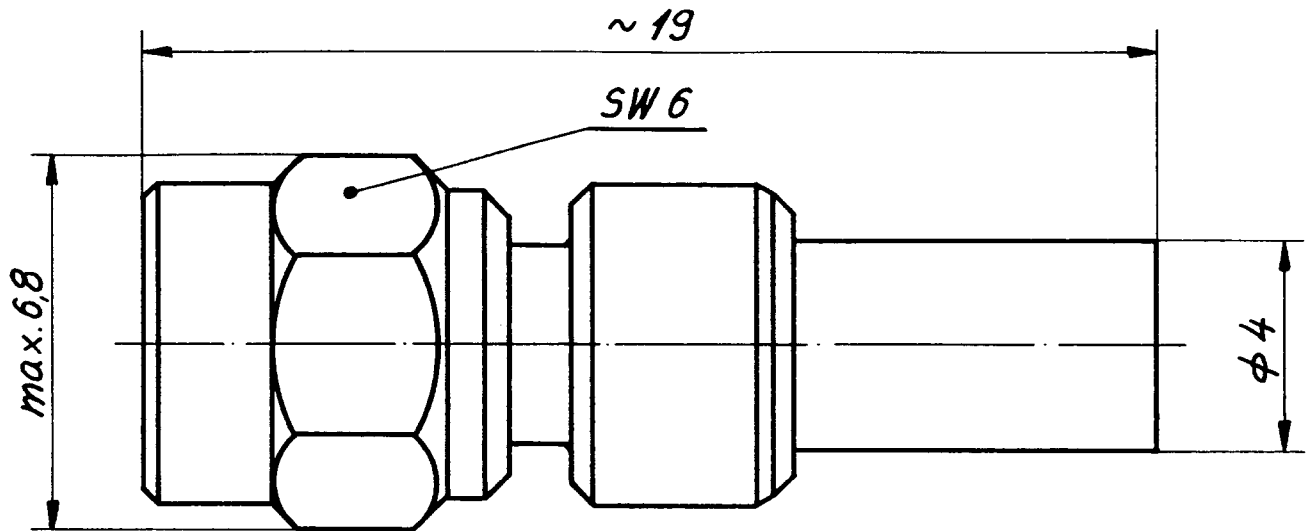


11SMC 50-2-11C für Kabel K 02252 d

16.8.78 *p.*



Coaxial RF connector, Cabled-Plug, Series SMC

conforms to MIL-C-39012 Part M39012/73-0009

cable entry modified to accept double screened cable in place of RG 316/U

Engineering Data:

| | |
|----------------------------------|---|
| Impedance: | 50 Ohms |
| Frequency range: | 0 to 10 GHz |
| Voltage rating: | 335 V |
| Temperature range: | -65 ^o C/+165 ^o C |
| Insulation resistance: | > 1000 M Ohms |
| VSWR: | 1,15 + 0,04 f (GHz) |
| Contact resistance: | ≤ 3 m Ohms inner ≤ 0,5 m Ohms outer |
| Dielectric withstanding voltage: | 1000 V |
| Corrosion: | MIL-STD-202, Method 101, B |
| Vibration: | MIL-STD-202, Method 204, D |
| Shock: | MIL-STD-202, Method 213, C |
| Temperature cycling: | MIL-STD-202, Method 102, C + 200 ^o C |
| RF leakage: | < -60 dB |
| Corona level 70'000 ft: | > 250 V |
| RF high potential withstanding: | > 700 V/ 5 MHz |
| Cable retention force: | > 14 kp |
| Connector durability: | 500 matings |

Materials:

| | |
|--------------------|---|
| Inner contact: | Beryllium copper, gold plated to MIL-G-45204 A/II/2 |
| Other metal parts: | Brass, gold plated to meet corrosion requirements |
| Insulators: | PTFE to L-P-403 |

H.P. Rued



HUBER + SUHNER AG
9100 Herisau

4.13.176 a