

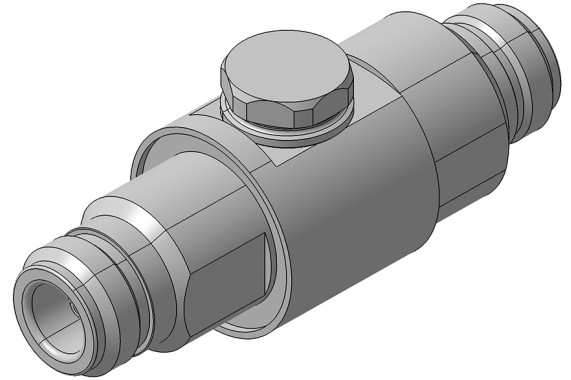
## EMP Protector 3402.17.3001

### Description

GDT technology up to 3.0 GHz

#### Benefits

- Broad-band design
- DC continuity for remote powering
- The protector can also be installed reversely
- Delivered without gas discharge tube
- Data refer to GDT 9071.99.0547, 230 V
- Compliant to IEC 61643-21



### Product Configuration

Main path connectors	Port 1: <u>unprotected</u> , N jack (female) - Port 2: <u>protected</u> , N jack (female)
Mounting and grounding	MH170 (bulkhead mounting), brk (bracket)
Side of bulkhead	protected side

### Technical Data

#### Electrical Data

Impedance	50 Ω	
Frequency range	0 - 3000 MHz	0 - 2000 MHz
Return loss	≥ 20 dB	≥ 26 dB
Insertion loss	≤ 0.3 dB	≤ 0.2 dB
RF CW power	≤ 150 W	≤ 150 W
PIM 3rd order	not specified	
DC current	≤ 6 A	
Surge current handling capability	30 single / 20 multiple kA (test pulse 8/20 μs)	
Residual pulse energy	350 μJ typically (test pulse 4 kV 1.2/50 μs / 2 kA 8/20 μs) main path - protected side	

#### Mechanical Data

Number of matings	500
Weight	154 g

#### Environmental Data

Operating temperature	-40 °C to +85 °C
Waterproof degree	IP67 (according to IEC 60529, data refer to the coupled state)
2011/65/EU (RoHS - including 2015/863 and 2017/2102)	compliant

#### Material Data

Piece Parts	Material	Surface Plating
Housing	Brass	SUCOPLATE (R) Plating
Port 1 center contact	Copper Beryllium Alloy	Gold Plating (without Nickel underplating)
Port 2 center contact	Copper Beryllium Alloy	Gold Plating (without Nickel underplating)

### Related Documents

Outline drawing	DOU-00237017
Mounting instruction	DOC-0000176104