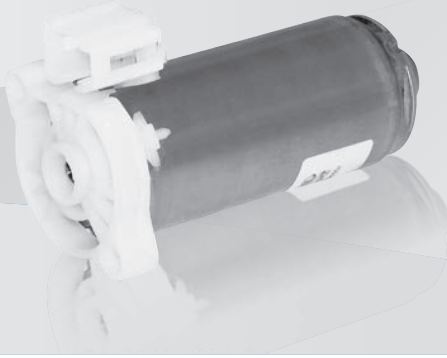


NSA-I

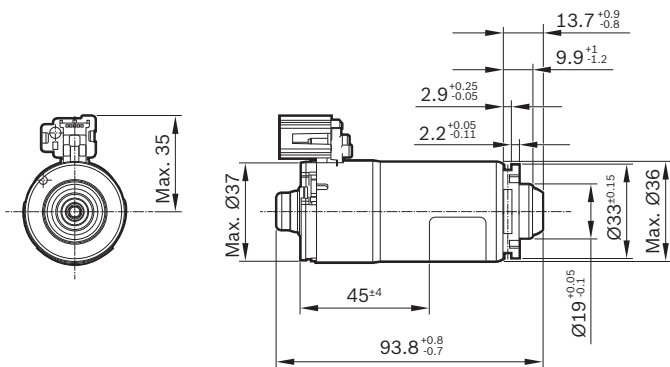


Family features:

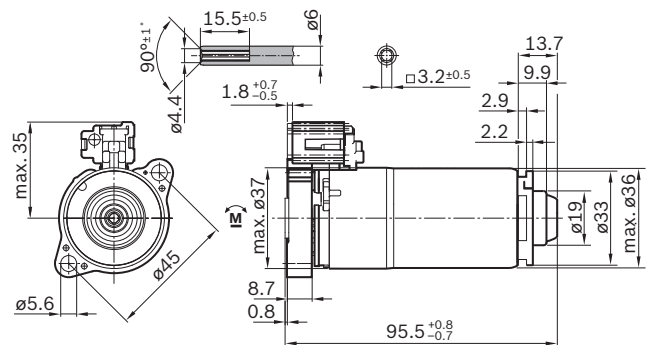
- ▶ Hall Sensor
- ▶ Degree of protection: IP 50
- ▶ Operation mode: S3
- ▶ Direction of rotation: CCW/CW
- ▶ Fit for flexi-shaft
- ▶ 2-end output

Voltage	Part number	P _n (Nominal power)	I _n (Nominal current)	n _n (Nominal speed)	M _n (Nominal torque)	M _a (Stall torque)	Signal	Dimensional drawing (D)	Wiring diagram (W)	Drive end (S)	Connector (C)	Performance curve (P)
		W	A	rpm	Ncm	Ncm	Hall					
12 V	0 390 204 092	12.6	2.5	2400	5	43	Yes	D2	W3	S1	C1	P1
	0 390 204 118	37.7	9	7200	5	48	Yes	D3	W2	S1	C1	P3
	0 390 204 166	10.4	3	3550	2.8	69	Yes	D1	W1	S1	C1	P2

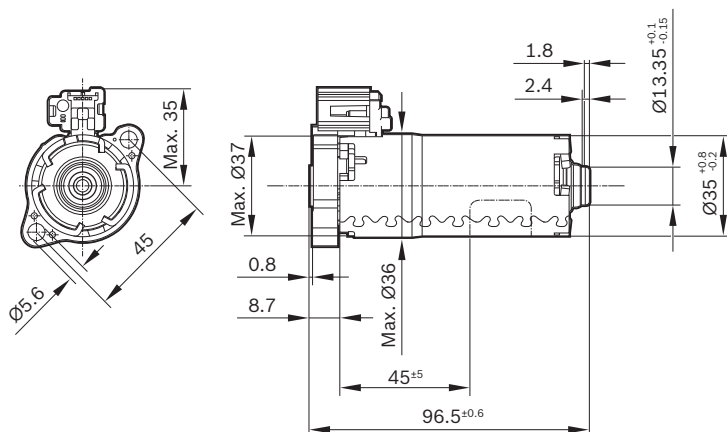
D1



D2

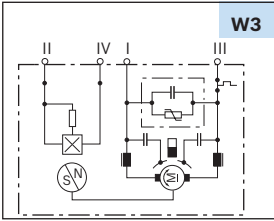
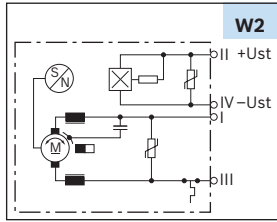
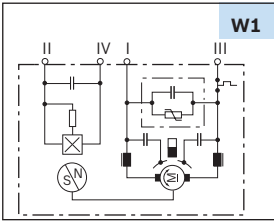


D3

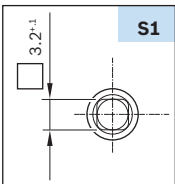


NSA-I

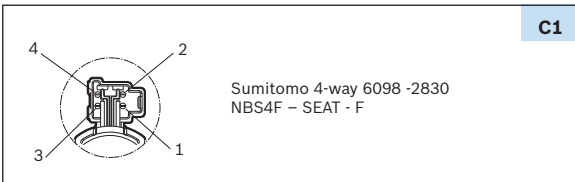
Wiring diagram (W)



Drive end (S)



Mating connector (C)



Performance curve (P)

