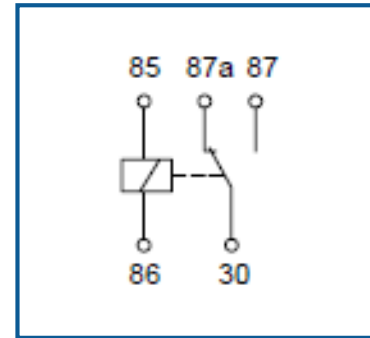
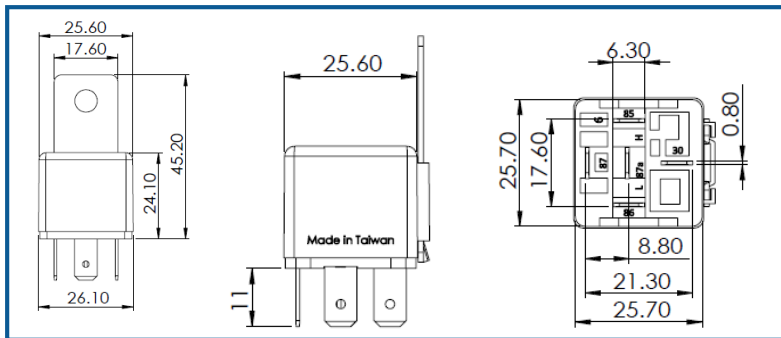


Mini Relays 12 V, 30 A

0 986 AH0 625

Change over	Normal close	Normal open
✓		

Mounting bracket	Resistor	Diode	Life durability	Current	Voltage	Number of Pins
✓	X	X	100.000	30 A	12 V	5



[Back to general overview](#)