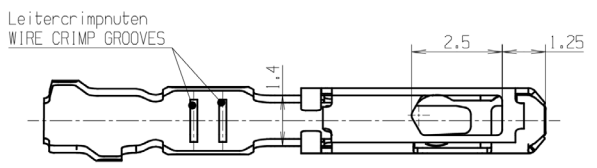
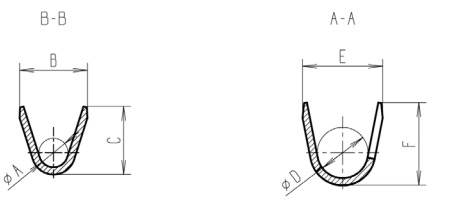
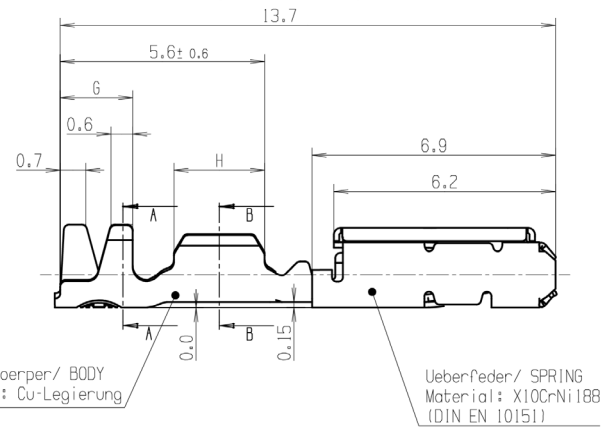
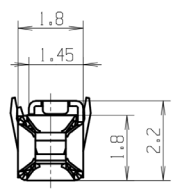
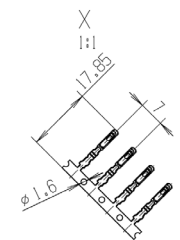
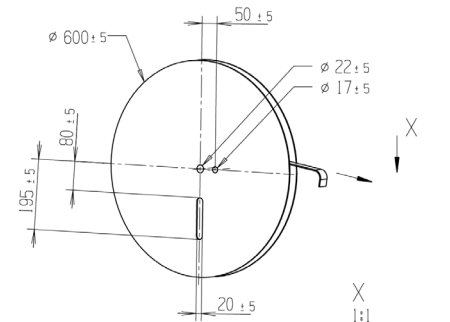


Bestell-Nummer /ORDER-NUMBER	Leiterquerschnitt /WIRE SIZE (mm ²)	Isolationsdurchmesser /DIAMETER OF INSULATION (mm)	Oberflaeche /SURFACE	Bemerkungen /REMARKS
1 928 492 555	0.35 - 0.5	∅ 1.2 - ∅ 1.6	Kontaktzone verzinkt CONTACT AREA TIN-PLATED	
1 928 492 556	0.75	∅ 1.7 - ∅ 1.9	Kontaktzone verzinkt CONTACT AREA TIN-PLATED	
1 928 498 748	0.85	∅ 1.8 - ∅ 1.9	Kontaktzone verzinkt CONTACT AREA TIN-PLATED	
1 928 499 044	0.35 - 0.5	∅ 1.2 - ∅ 1.6	Kontaktzone versilbert CONTACT AREA SILVER-PLATED	
1 928 499 045	0.75	∅ 1.7 - ∅ 1.9	Kontaktzone versilbert CONTACT AREA SILVER-PLATED	

Anlieferungszustand
CONDITION AT TIME OF DELIVERY
1:10



Leiterquerschnitt WIRE SIZE (mm ²)	A	B	C	D	E	F	G	H
0.35 - 0.5	0.8	1.8	1.9	1.4	2.3	2.3	2.0	2.5
0.75	1.0	2.0	2.1	1.6	2.7	2.9	1.8	2.8
0.85	1.0	2.0	2.4	1.6	2.7	2.9	1.8	2.8

Massgebend ist der deutsche Text!
GERMAN TEXT IS VALID!

9

general tolerances for/Allgemeintoleranzen fuer			
lin. dim./L-masse	radii/Radien	angles/Winkel	
±0,5mm	±0,5mm	±10°	

Lieferer / SUPPLIER BOSCH GS/ST02
 Technische Kundenunterlagen / TECHNICAL CUSTOMER DOCUMENTATION : 1 928 A00 65T
 Werkzeuge fuer Verarbeitung / TOOLS FOR PROCESSING ACCORDING TO : 1 928 A00 70M
 nach Verarbeitungsvorschrift / PROCESSING SPECIFICATION
 Kontakt muss nach Verarbeitungsvorschrift
 1 928 A00 70M verarbeitet werden.
 CONTACT HAS TO BE PROCESSED ACCORDING TO
 PROCESSING SPECIFICATION 1 928 A00 70M.

Lang./Spr.	Syst.	Wgt./Gew.	SOCKET CONTACT		BCB 0.6	Sheet/Bl.
en/de	UG	0,15 g	BUCHSENKONTAKT		BCB 0.6	1 / 1
09 CORRECTED	20130710	abl4kor	bnelsi	pew2si	2130 GS-AM/ENC	
01 NEW EDITION	20021210	trfr2si	pew2si	pew2si	2130 GS-AM/ENC	
Ind.	Change/Änd.	YYYYMMDD	Drawn/Gez.	Checked/Gepr.	Released/Freig.	BWN Resp. dept./Verantw. Abt.
						Addr. info./Zus. Info.
Scale/W-stab 10:1			BOSCH		Doc. type AGZ	1 928 A00 208
MNR			OFFER DRAWING ANGEBOTSZEICHN.		Repl. for	DP/10 001 09 Formo A2
			Repl. by			

© Bosch Power Tools. All rights reserved. All trademarks are the property of their respective owners. Bosch Power Tools is a registered trademark of Robert Bosch GmbH. Reproduction or distribution of this document without the written permission of Bosch Power Tools is prohibited.