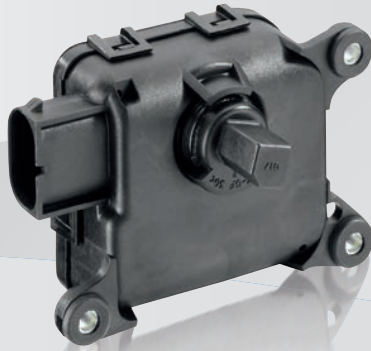


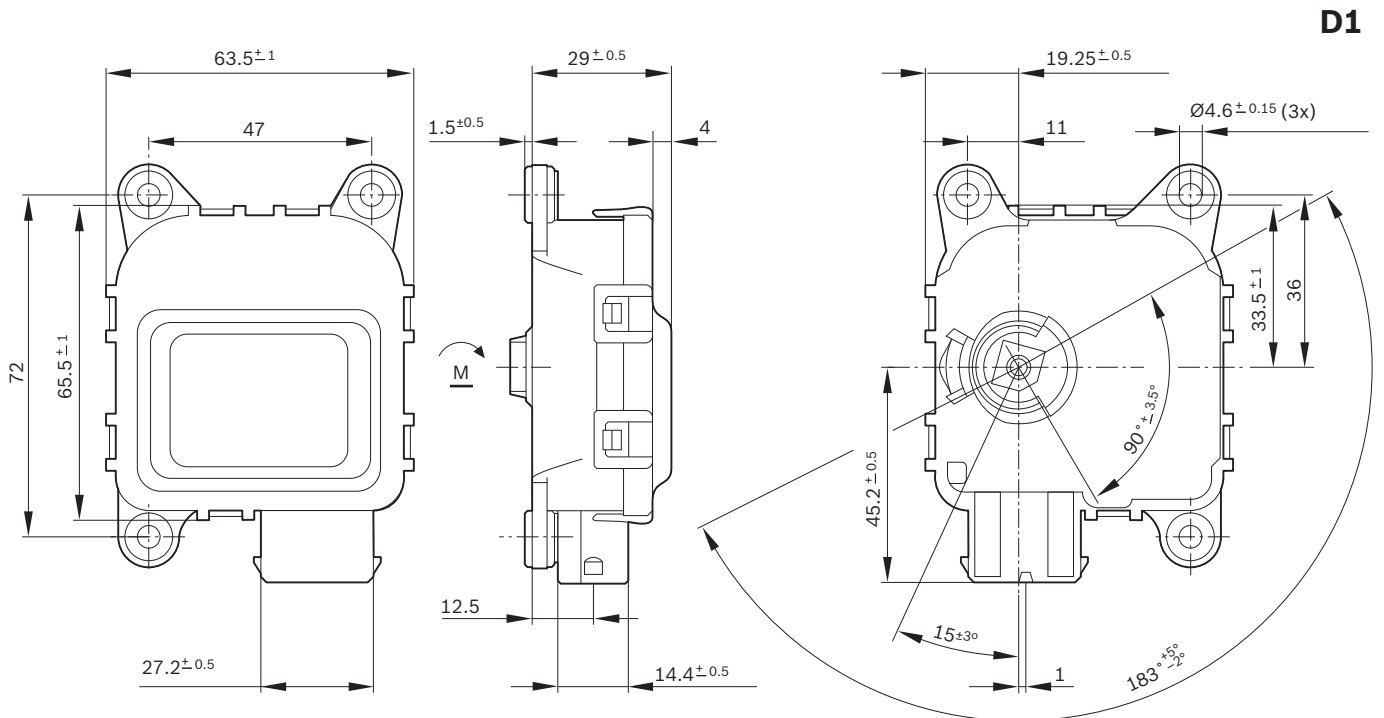
VMC



Family features:

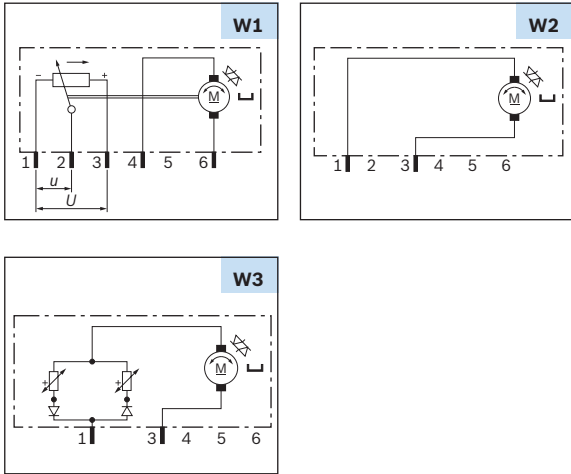
- ▶ With and without potentiometer
- ▶ Operation mode: S2
- ▶ Direction of rotation: CCW/CW
- ▶ Compact and robust design

Voltage	Part number	Pn (Nominal power)	In (Nominal current)	nn (Nominal speed)	Mn (Nominal torque)	Ma (Stall torque)	Gear ratio	Direction of rotation	Degree of protection	Signal	Wiring diagram (W)	Drive end (S)	Connector (C)	Performance curve (P)
		W	A	rpm	Nm	Nm				Poti				
12 V	0 132 801 142	0.3	0.18	7	0.4	0.9	310:1	CCW/CW	IP 40	No	W2	S1	C1	P2
	0 132 801 169	0.2	0.15	4.5	0.4	0.9	405:1	CW/CCW	IP 40	Yes	W1	S3	C1	P5
	0 132 801 156	0.2	0.13	6.5	0.3	0.9	310:1	CW/CCW	IP 40	No	W2	S4	C1	P4
24 V	0 132 801 143	0.3	0.10	6	0.4	0.9	405:1	CCW/CW	IP 40	No	W3	S1	C1	P3
	0 132 801 141	0.3	0.10	6	0.4	0.9	405:1	CCW/CW	IP 54	Yes	W1	S2	C1	P1

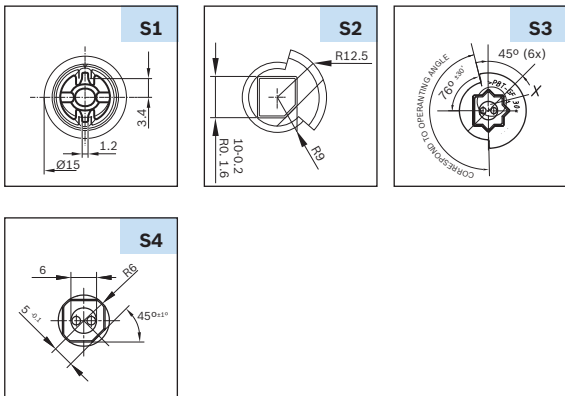


VMC

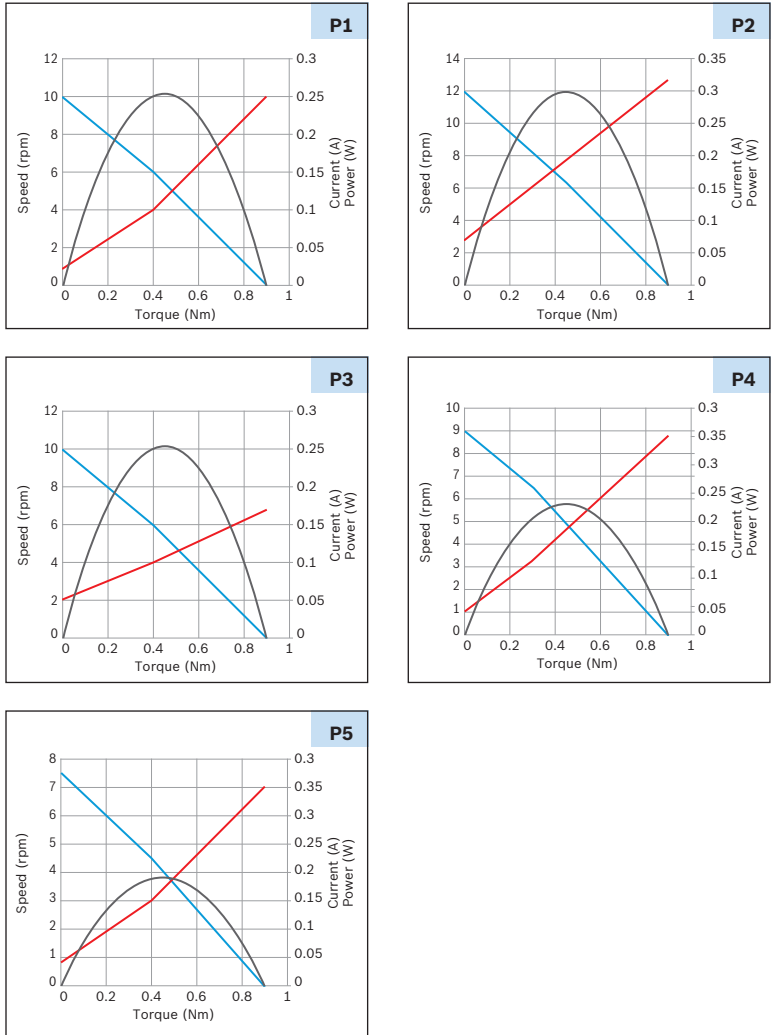
Wiring diagram (W)



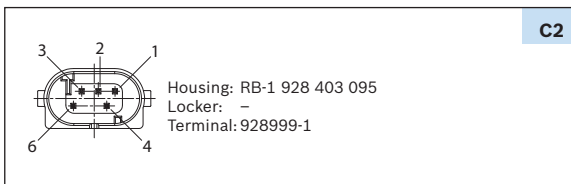
Drive end (S)



Performance curve (P)



Mating connector (C)



Accessories

