

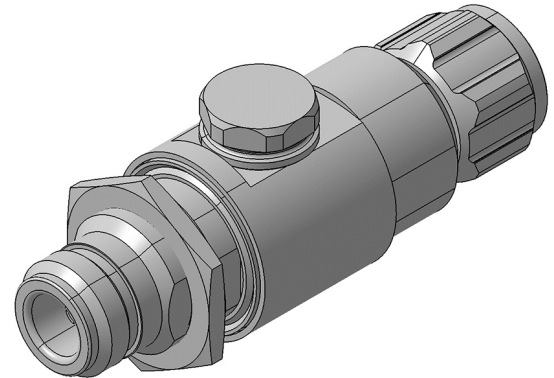
EMP Protector 3402.17.C

Description

GDT technology up to 2.5 GHz

Benefits

Broad-band design
 DC continuity for remote powering
 The protector can also be installed reversely
 Delivered without gas discharge tube
 Data refer to GDT 9071.99.0547, 230 V
 Compliant to IEC 61643-21



Product Configuration

Main path connectors	Port 1: <u>unprotected</u> , N plug (male) - Port 2: <u>protected</u> , N jack (female)
Mounting and grounding	MH25 (bulkhead mounting), brk (bracket)
Side of bulkhead	protected side

Technical Data

Electrical Data

Impedance	50 Ω
Frequency range	0 - 2500 MHz
Return loss	≥ 20 dB
Insertion loss	≤ 0.2 dB
RF CW power	≤ 150 W
PIM 3rd order	not specified

Surge current handling capability	30 single / 20 multiple kA (test pulse 8/20 μs)
Residual pulse energy	350 μJ typically (test pulse 4 kV 1.2/50 μs / 2 kA 8/20 μs) main path - protected side

Mechanical Data

Number of matings	500
Weight	155 g

Environmental Data

Operating temperature	-40 °C to +85 °C
Waterproof degree	IP65 (according to IEC 60529, data refer to the coupled state)
2011/65/EU (RoHS)	compliant

Material Data

Piece Parts	Material	Surface Plating
Housing	Brass	SUCOPLATE (R) Plating
Port 1 center contact	Brass	Gold Plating (without Nickel underplating)
Port 2 center contact	Copper Beryllium Alloy	Gold Plating (without Nickel underplating)

Related Documents

Outline drawing	DOU-00004075.1
Mounting instruction	DOC-0000176104