

PCE

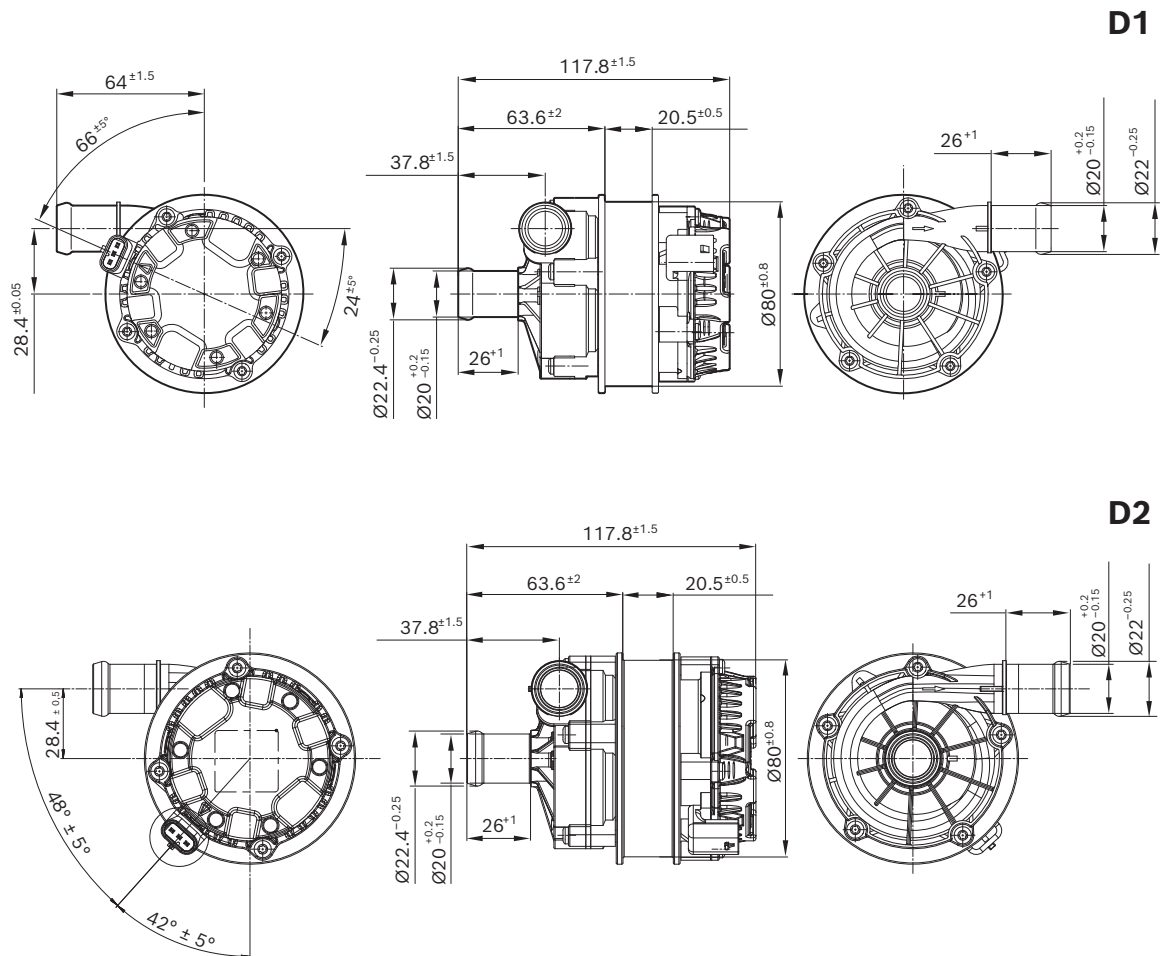


Family features:

- silent operation
- PWM control available
- extended temperature range available
- extended power range available
- degree of protection: IPX7

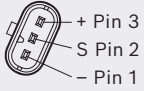
Voltage	Part number	Nominal pump pressure bar	Flow rate L/h	Direction of rotation CW or CCW	Control	Medium	Dimensional drawing (D)	Connector (C)	Performance curve (P)
12 V	0 392 024 058	0.6	1200	CW	PWM	Water Glycol	D1	C1	P1
12 V	0 392 024 078	0.85	1000	CW	PWM	Water Glycol	D1	C1	P2
12 V	0 392 024 900	0.5	950	CW	PWM	Tap Water*	D2	C2	P4
24 V	0 392 024 041	0.6	1200	CW	PWM	Water Glycol	D1	C1	P3

*No drinking water



PCE

Mating connector (C)



+ Pin 3
S Pin 2
- Pin 1

C1

Housing:


- TE Connectivity MCON 1.2 1488991-6 (with CPA),...-2 w/o CPA
- Molex MXP120 34900-3102

Terminals:

- Bosch 1 928 498 811
- Tyco / Molex MCON 1.2 1670146-3 – Ag plated (20awg)
- KOSTAL MLK 1.2 [32124734130]

Seal:

- Bosch 1 928 300 936
- TE Connectivity 967067-1 (20 awg)
- KOSTAL 10800507250



S Pin 3
+ Pin 2
- Pin 1

C2

Housing:

- TE Connectivity MCON 1.2 1488991-5 (with CPA),...-2 w/o CPA
- Molex MXP120 34900-3101

Terminals:

- Bosch 1 928 498 811
- Tyco / Molex MCON 1.2 1670146-3 – Ag plated (20awg)
- KOSTAL MLK 1.2 [32124734130]

Seal:

- Bosch 1 928 300 936
- TE Connectivity 967067-1 (20 awg)
- KOSTAL 10800507250

Performance curve (P)

