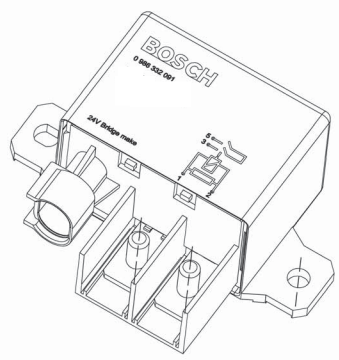
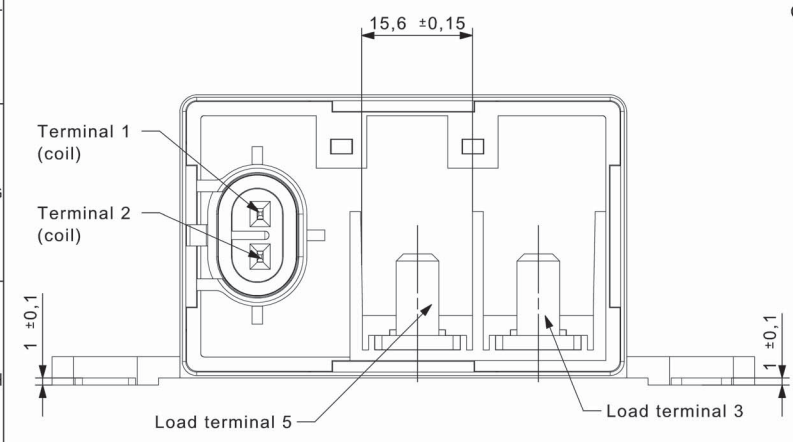
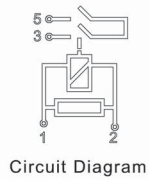
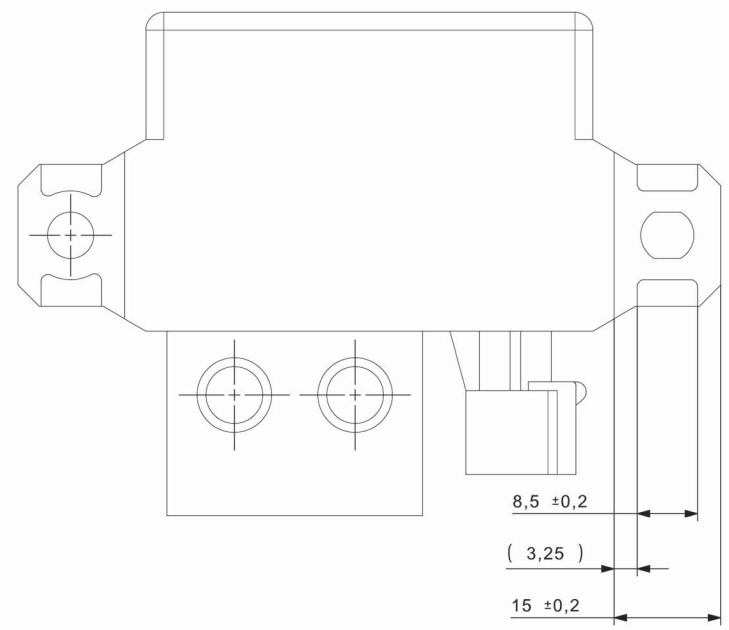
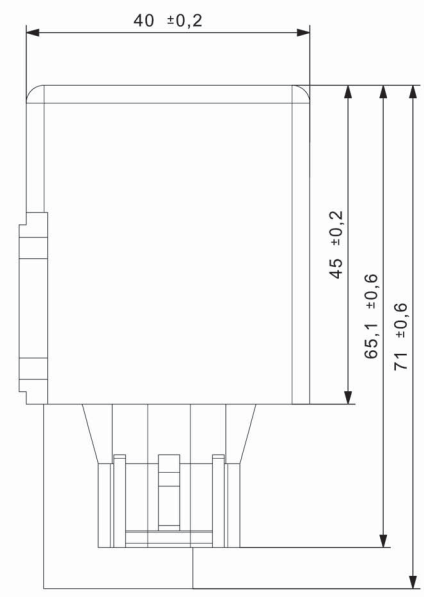
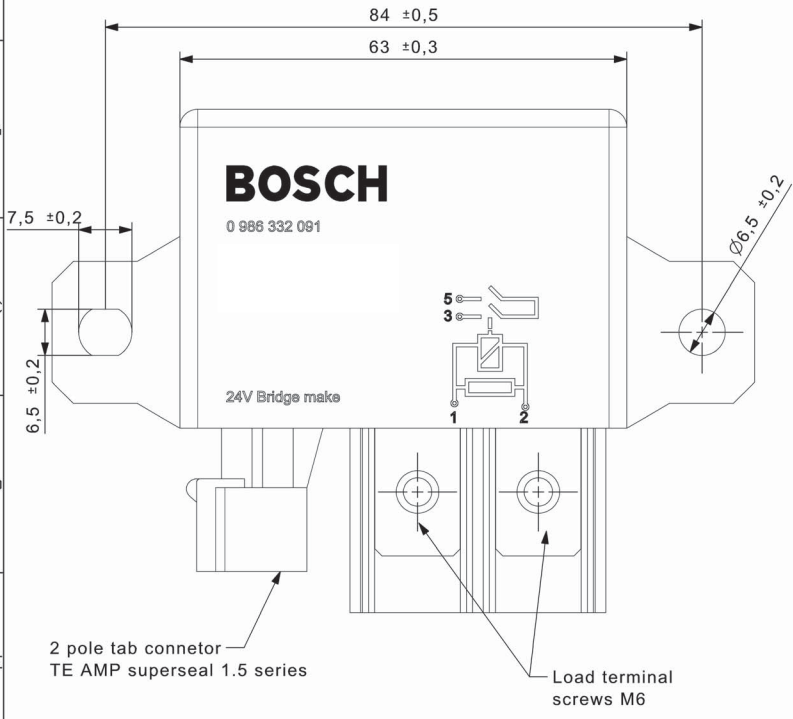


PART	MATERIAL
COVER	PA 66 GF25
BASE	PA 66 GF25
COIL TERMINAL 1	CuSn
COIL TERMINAL 2	CuSn
LOAD TERMINAL 3	ECu
LOAD TERMINAL 5	ECu
CONTACTS	AgSnO2



PROPRIETARY THE REPRODUCTION, TRANSMISSION OR USE OF THIS DOCUMENT OR IT'S CONTENTS IS NOT PERMITTED WITHOUT EXPRESSED WRITTEN AUTHORITY. OFFENDERS WILL BE LIABLE FOR ALL DAMAGES. ALL RIGHTS, INCLUDING RIGHTS CREATED BY REGISTERED PATENT(S) GRANTED FOR A UTILITY MODEL OR DESIGN, ARE RESERVED.				CHANGES TO THIS DRAWING MUST BE DONE ONLY IN CAD		PAPER SIZE A2	
APPLICABLE SPEC.:				FINISH			
DIMENSIONS IN MM				DIMENSIONS IN IN		PLATING	
TOLERANCE UNLESS SPECIFIED OTHERWISE				SCALE 1:2		WEIGHT	
MATERIAL				see table			
DATE				PART NAME			
DWG. DATE NAME				PART NO.			
APP. DATE APP.				SHT. 1 OF 1			
REV. CHANGE ORDER DATE APP.				LOCATION Evoro			