

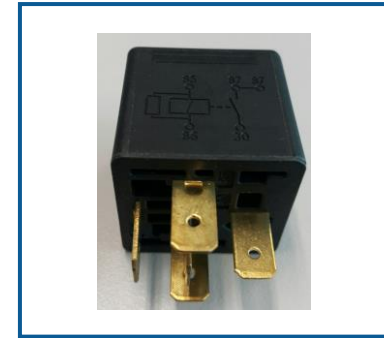
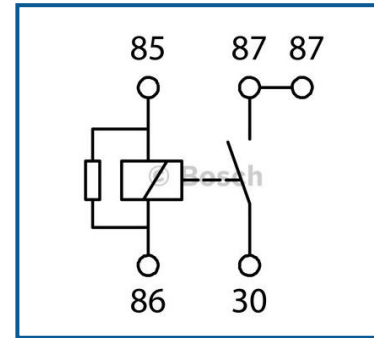
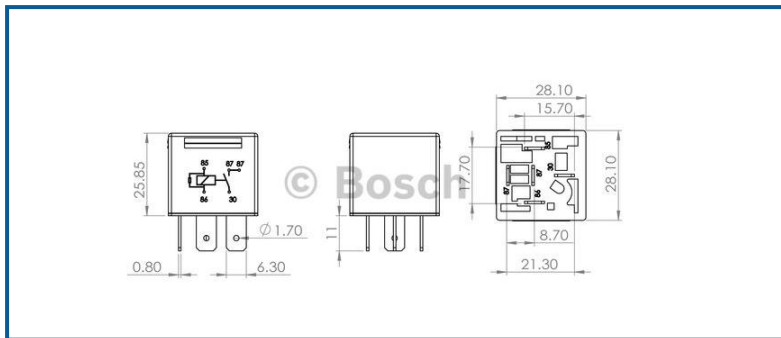
# Mini Relays 24 V, 20 A

## 0 986 AH0 204

Change over	Normal close	Normal open
		✓

2 x 87 terminal

Mounting bracket	Resistor	Diode	Life durability	Current	Voltage	Number of Pins	Housing type	Temperature range	Degree of protection housing	Degree of protection connection
X	✓	X	100.000	20 A	24 V	4	Plastic housing	-40... +100°C	IP5K4	IP20



[Back to general overview](#)