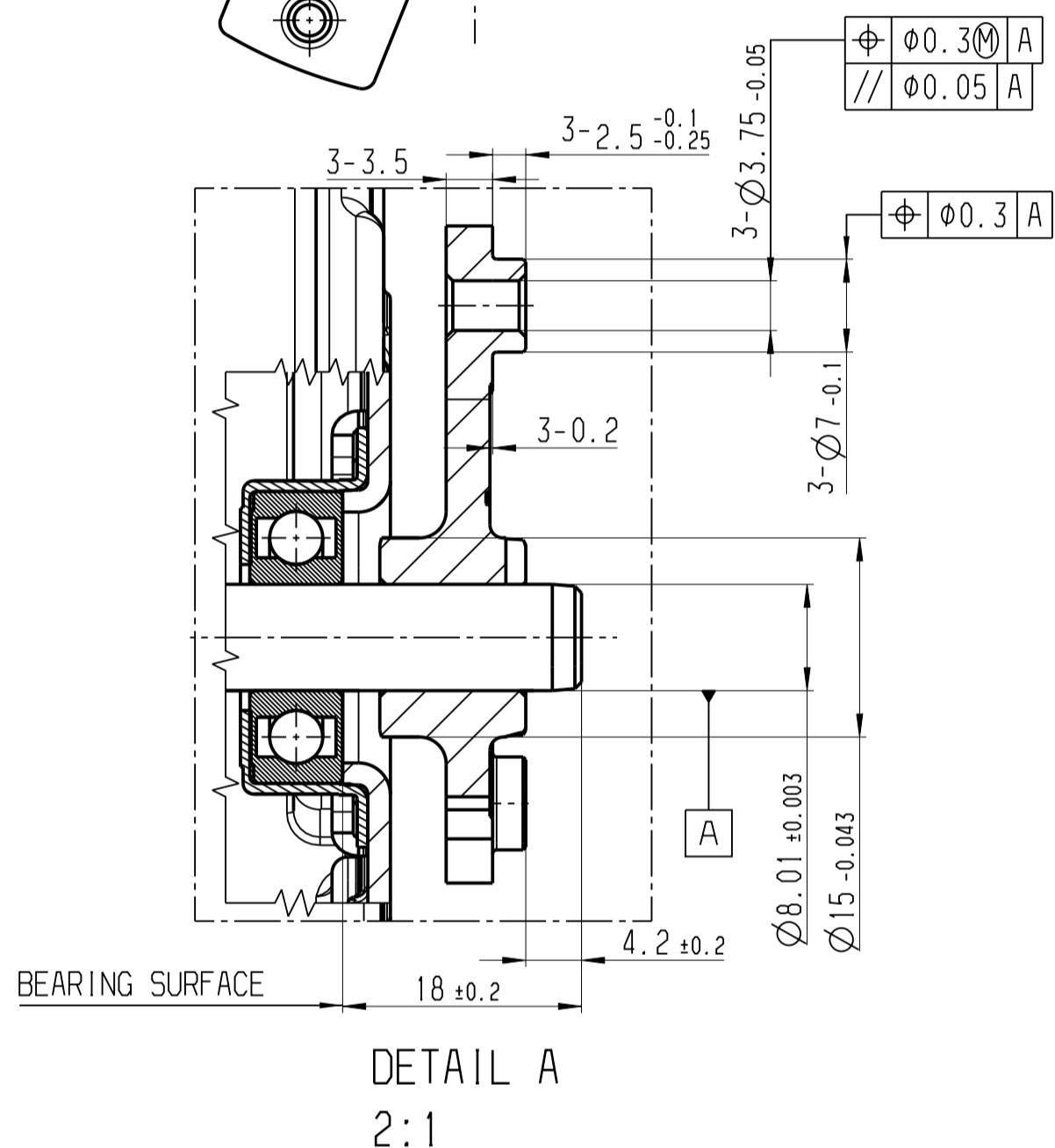
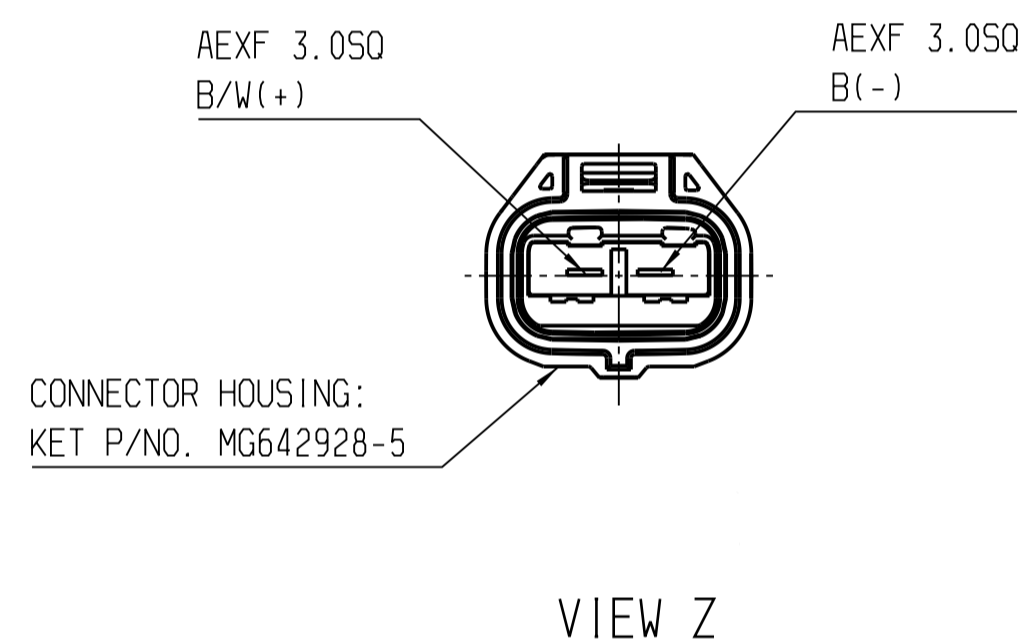
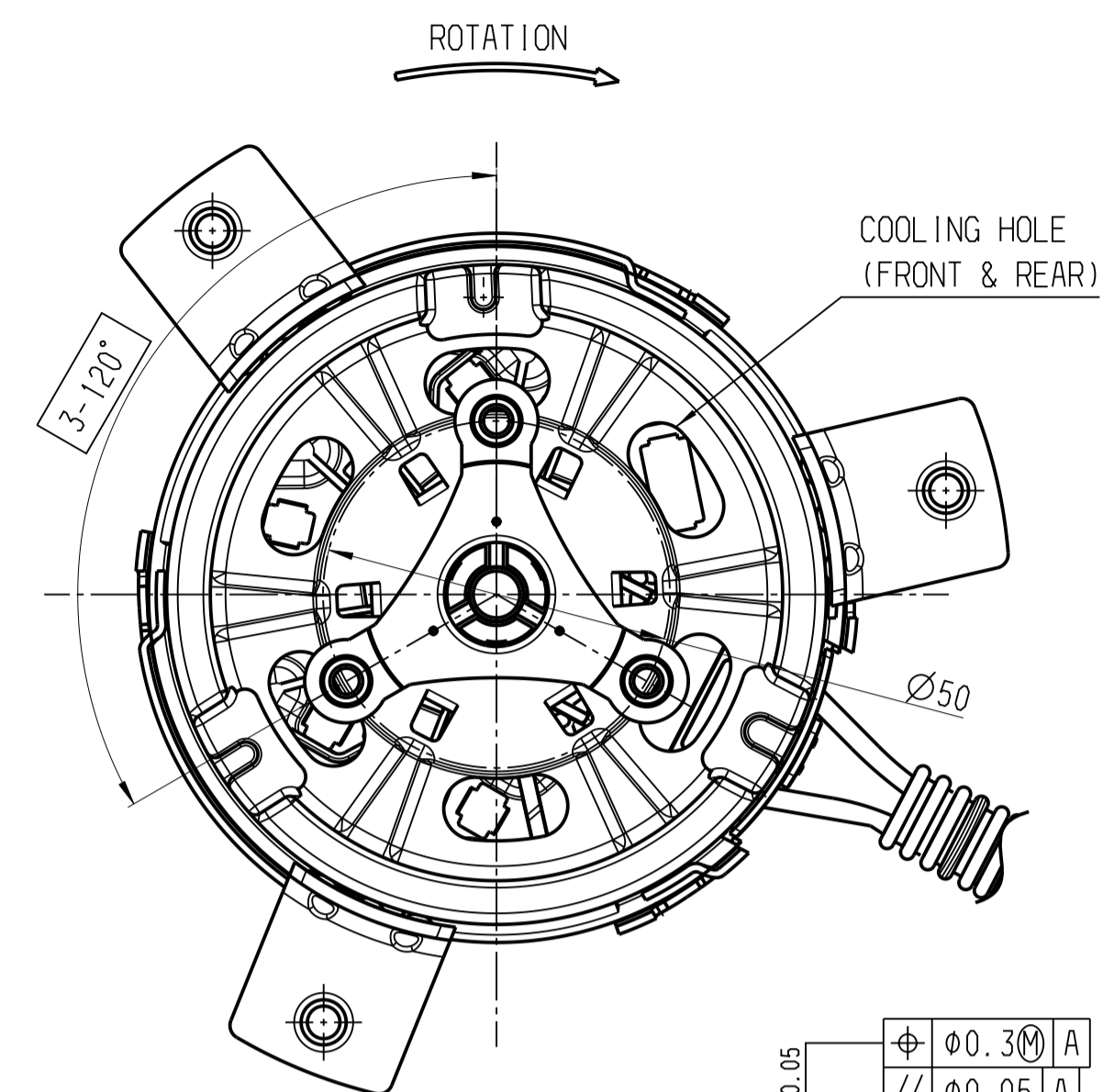
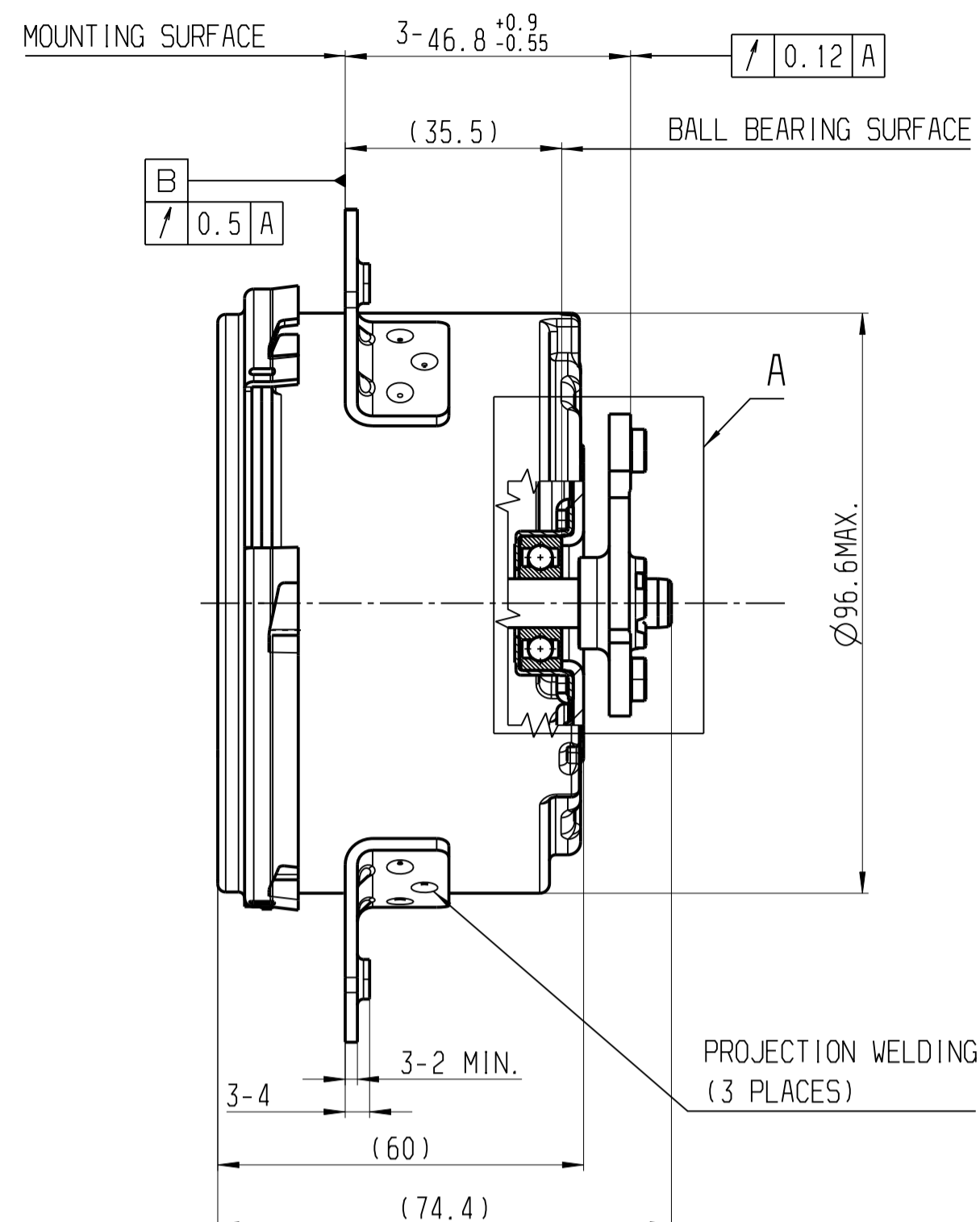
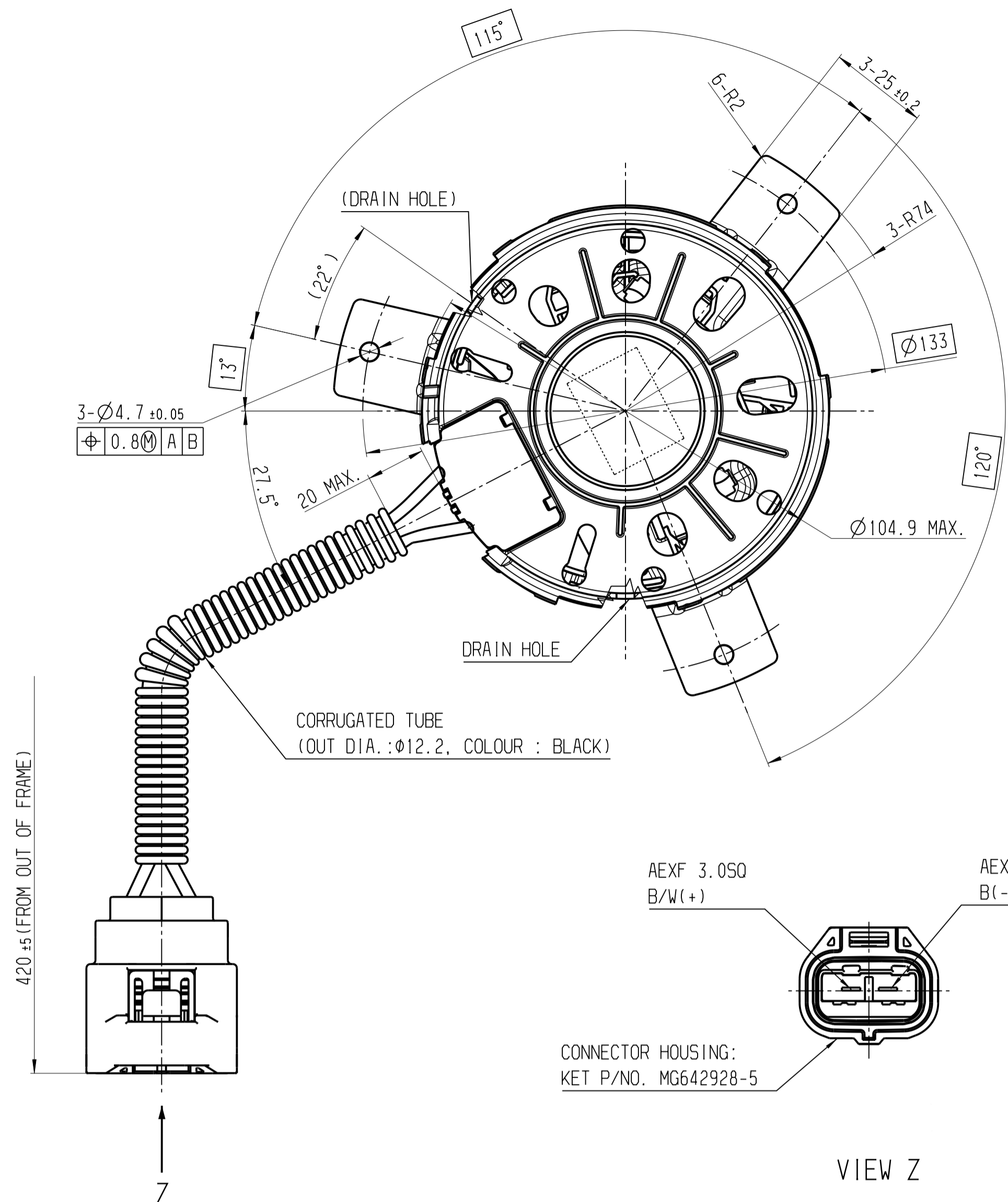


SPECIFICATIONS FOR MATERIALS, STANDARDS AND DOCUMENTS SEE PARTS LIST
 ANGABEN ZU STOFFEN, NORMEN UND DOKUMENTEN SIEHE STUECKLISTE



NOTES

1. PASTE NAME PLATE AS FOLLOWINGS.

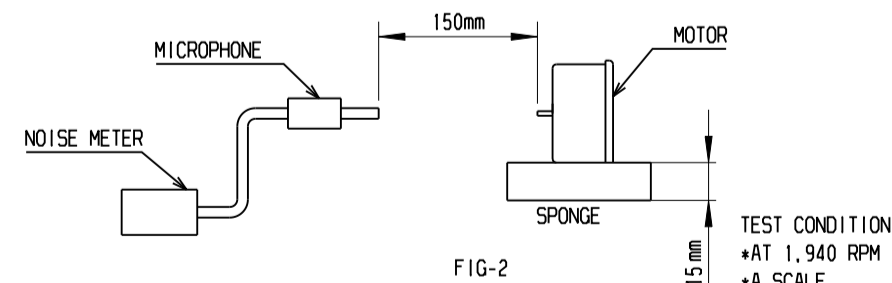


- 1) PAPER COLOR : SILVER, LETTER : BLACK
- 2) NAME PLATE MUST NOT COME OFF.
- 3) STAMP LOT NO. WITH PERMANENT INK.
- 4) NAME PLATE ARROW MUST BE IDENTICAL WITH MOTOR ROTATION DIRECTION.

SPECIFICATIONS

1. MOTOR CHARACTERISTICS (AT ROOM TEMPERATURE)
 RATED VOLTAGE : 12 V
 DIRECTION OF ROTATION : CLOCK WISE (VIEW FROM SHAFT)
 LOAD CHARACTERISTICS
 RATED LOAD : 8.1 kgf.cm
 SPEED : 1940 ±8% RPM
 CURRENT : 20.8 +10% A MAX.
 TIME RATING : CONTINUOUS
 INSULATION RESISTANCE : 1 MΩ MIN. AT DC 500V (ARMATURE ONLY)

2. NOISE
 (1) NOISE LEVEL SHALL BE MEASURED ACCORDING TO THE FIG-2
 (2) MOTOR NOISE SHALL NOT EXCEED 63 dB.
 (3) TO BE FREE FROM NOISE(RATTLE, SQUEAK, ETC.)



THIS PRODUCT MAY BE ONLY USED IN APPLICATIONS WHICH ARE EXPLICITLY RELEASED BY ROBERT BOSCH GMBH. ROBERT BOSCH GMBH IS NOT RESPONSIBLE FOR THE USE OF THIS PRODUCT IN OTHER INSTALLATIONS OR IMPLEMENTATIONS. FOR OTHER PURPOSES OR OPERATIONS OUTSIDE OF THE SPECIFICATION AGREED TO IN THE PRODUCT RELEASE

IF THERE IS SYSTEM CHANGE TO AFFECT FUNCTION (PERFORMANCE, NOISE AND MOTOR COOLING), BOSCH NEEDS CUSTOMER INFORMATION TO EVALUATE DESIGN CHANGE.

PLUG CONNECTION HAS BEEN DEFINED ACCORDING TO CUSTOMER REQUEST. CUSTOMER SECURES ENDURANCE LIMIT WHEN HIS OWN RESPONSIBILITY.

Size acc. to/Masse nach	ISO 14405-1:2010-12
envelope principle	ⓔ

In all cases of doubt, the text in the original language is binding. In allen Zweifelsfällen ist der Text in der Ausgangssprache verbindlich.		Original language: Ausgangssprache:	EN
01 Release	20180312	sh1buy	sh1buy
Change/Änd.	YYYYMMDD	Drawn/Gez.	Checked/Gepr.
Treatment/Behandlung	--	Released/Released	Responsible/Verantw.
Mat./Stoff	--	From/Aus	--
Lang./Spr.	en	Light./Gew.	--
Doc. type	AGZ	Scale/M.stab	1/
Mat. reqts./Stoffe s.	N2580-1	Syst. CAT	Rep. for
DC MOTOR GLEICHSTROMMOTOR		Sheet/Bl.	1/
AGZ F 005 3A1 367		DP/TO	01
Format		Ind.	A1

F00S3A1367	3137230308	GPG-M	AA	DC 12V 250W	ENGINE COOLING	HKMC	3137230079
AGZ NUMBER	PRODUCT NUMBER	CUSTOMER P/NO.	TYPE	CUSTOMER	CAR	APPLICATION FOR	ORIGINAL PRODUCT NUMBER

F00S3A1367 AGZ 000 01 GLEICHSTROMMOTOR